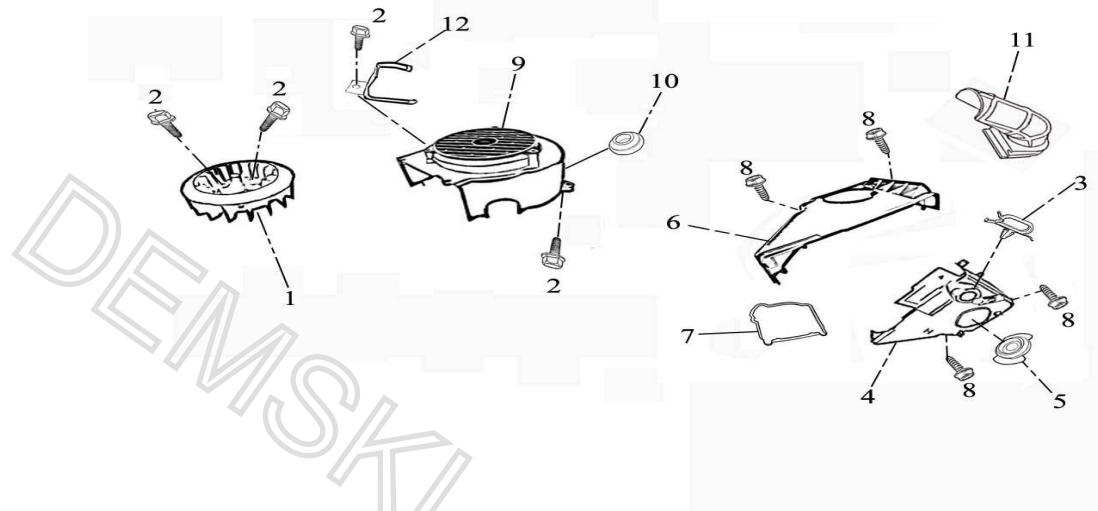


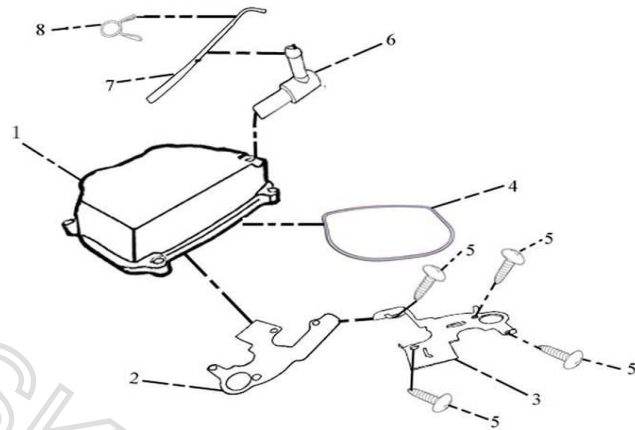
JONWAY 125 LONG GY6 ENGINE PARTS CATALOGUE

图 1	风扇及导风系统	Model	JONWAY 150 LONG GY6 ENGINE	价格合计
Draft 1	VENTILATION SYSTEM	Part No.	YYGYL1500100	Total



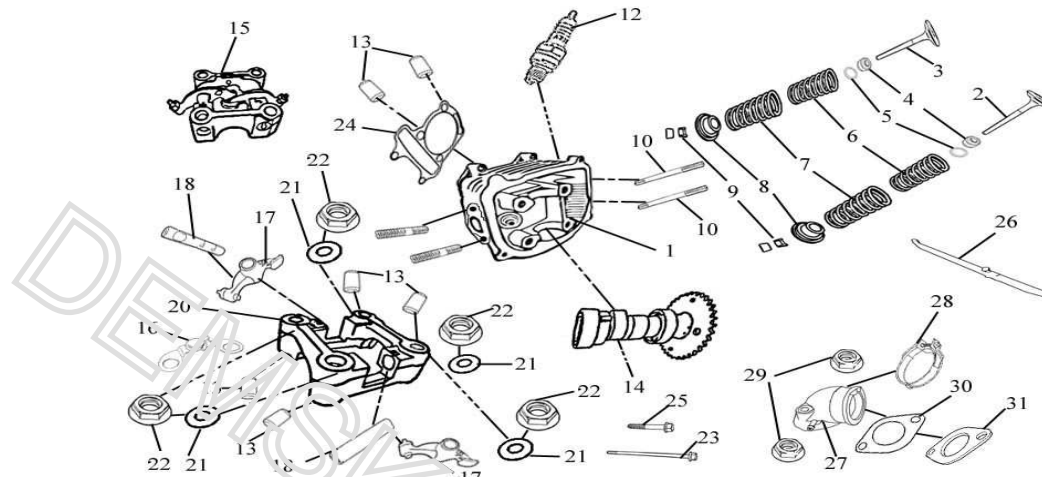
NO.	Part NO.	Chinese Name	Description	QTY	Unit price
1	YYGYL1250101	风扇叶轮	Fan	1	
2	GB/T5789-M6×25	法兰螺栓M6×25	Flange Bolt, M6×25	4	
3	YYGYL1250102	节流导线夹	Clip, Overflow Tube A	1	
4	YYGYL1250103	上导流罩	Upper Shroud	1	
5	YYGYL1250104	涨紧器螺钉橡胶盖	Rubber Plug Cap, Cranking Screw	1	
6	YYGYL1250105	下导流罩	Lower Shroud	1	
7	YYGYL1250106	缸头大垫圈	Large Gasket, Cylinder Head	1	
8	GB/T9456-ST4.8×16	十字槽凹穴六角头自攻螺钉ST4.8×16	Hex Screw, Tapping, ST4.8×16	4	
9	YYGYL1250107	风扇罩	Cover, Fan	1	
10	YYGYL1250108	观察孔盖	Observing Hole Cap	1	
11	YYGYL1250109	化油器冷却导管	Duct, Carburetor Cooling	1	
12	YYGYL1250110	启动马达线夹	Clip, Start Motor Cable	1	

图 2	气缸头盖	Model	JONWAY 150 LONG GY6 ENGINE	价格合计
Draft 2	CYLINDER HEAD COVER COMP	Part No.	YYGYL1250200	Total



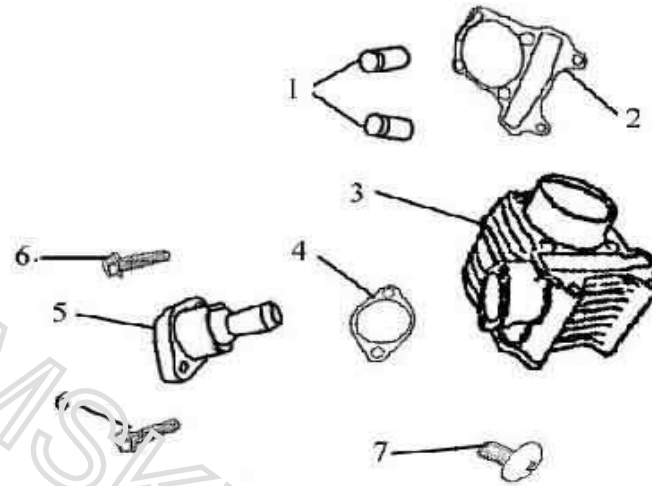
NO.	Part NO.	Chinese Name	Description	QTY	Unit price
1	YYGYL1250201	气缸头盖	Cover, Cylinder Head	1	
2	YYGYL1250202	通气压板纸垫	Paper Gasket, Breather Plate	1	
3	YYGYL1250203	通气压板	Breather Plate	1	
4	YYGYL1250204	气缸头盖密封圈	Gasket, Cylinder Head Cover	1	
5	GB/T845-ST3.5×10	自攻螺钉ST3.5×10	Screw, Tapping ST3.5×10	4	
6	YYGYL1250205	通气管接头	Joint, Breather Tube	1	
7	YYGYL1250206	通气管	Breather Tube	1	
8	YYGYL1250207	通气管卡簧	Clip, Breather Tube	2	

图 3	气缸头	Model	JONWAY 150 LONG GY6 ENGINE	价格合计
Draft 3	CYLINDER HEAD COMP	Part No.	YYGYL1250300	Total



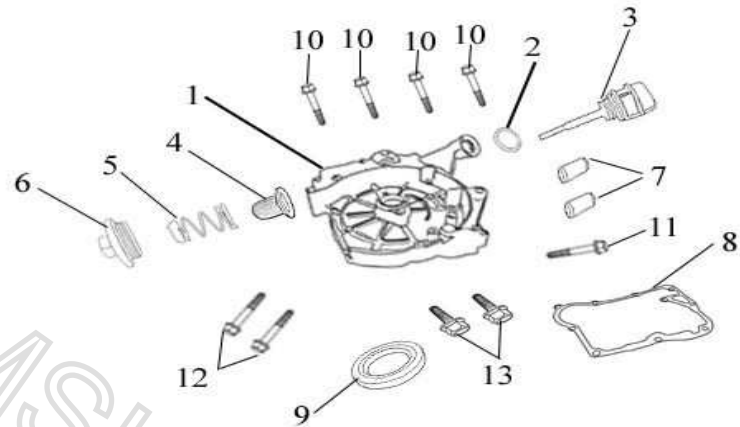
NO.	Part NO.	Chinese Name	Description	QTY	Unit price
1	YYGYL1250301	气缸头	Cylinder Head	1	
2	YYGYL1250302	进气门	Valve, In.	1	
3	YYGYL1250303	排气门	Valve, Ex.	1	
4	YYGYL1250304	气门油封	Oil Seal, Valve Stem	2	
5	YYGYL1250305	垫片 (气门弹簧)	Washer, Valve Spring	2	
6	YYGYL1250306	气门内弹簧	Spring, Valve Inner	2	
7	YYGYL1250307	气门外弹簧	Spring, Valve Outer	2	
8	YYGYL1250308	保持器 (气门弹簧)	Retainer, Valve Spring	2	
9	YYGYL1250309	锁片 (气门弹簧)	Cotter, Valve	2	
10	YYGYL1250310	进气口双头螺栓M6×63	Bolt, In. Valve Stud M6×63	2	
11	YYGYL1250311	排气口双头螺栓M6×32	Bolt, Ex. Valve Stud M6×32	2	
12	YYGYL1250312	火花塞	Spark Plug	1	
13	YYGYL1250313	定位销φ10×φ8×16	Pin, Dowel φ10×φ8×16	6	
14	YYGYL1250314	凸轮轴	Camshaft	1	
15	YYGYL1250315	摇臂总成	Rocker Arm Assy	1	
16	YYGYL1250316	泄气凸轮弹簧片	Over Breather Cam Spring Plate	1	
17	YYGYL1250317	摇臂	Valve Rocker Arm	2	
18	YYGYL1250318	进气摇臂销	Pin, In. Rocker Arm	1	
19	YYGYL1250319	排气摇臂销	Pin, In. Rocker Arm	1	
20	YYGYL1250320	摇臂架	Holder, Rocker Arm	1	
21	GB/T95-φ8	平垫圈φ8	Plain Washer, φ8	4	
22	GB/T6177.1-M8	螺母M8	Nut, M8	4	
23	GB/T5789-M6×100	法兰螺栓M6×100	Flange Bolt, M6×100	2	
24	YYGYL1250321	气缸头钢垫片	Steel Gasket, Cylinder Head	1	
25	GB/T5789-M6×22	法兰螺栓M6×22	Flange Bolt, M6×22	1	
26	YYGYL1250322	导杆	Guider, Cam Timing Chain	1	
27	YYGYL1250323	进气管	Intake Pipe	1	
28	YYGYL1250324	卡箍	Fixing Ring, Intake Pipe	1	
29	GB/T6177.1-M6	法兰螺母M6	Flange Nut, M6	2	
30	YYGYL1250325	进气管垫	Gasket, Intake Pipe	1	
31	YYGYL1250326	隔热板	Insulator, Carburetor	1	

图 4	气缸体	Model	JONWAY 150 LONG GY6 ENGINE	价格合计
Draft 4	CYLINDER COMP	Part No.	YYGYL1250400	Total



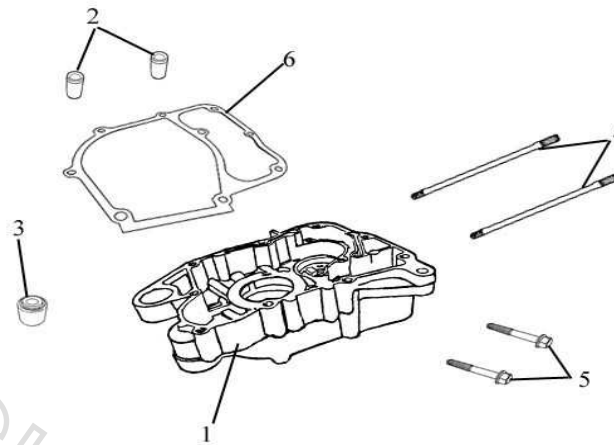
NO.	Part NO.	Chinese Name	Description	QTY	Unit price
1	YYGYL1250401	定位销φ10×φ8×16	Pin, Dowel φ10×φ8×16	2	
2	YYGYL1250402	气缸体纸垫	Paper Gasket, Cylinder	1	
3	YYGYL1250403	气缸体	Cylinder	1	
4	YYGYL1250404	调整器垫片	Gasket, Adjusting	1	
5	YYGYL1250405	调整器	Adjusting Assy, Cam Timing Chain	1	
6	GB/T5789-M6×22	法兰螺栓M6×22	Flange Bolt, M6×22	2	
7	YYGYL1250406	大扁头螺栓M6×12	Bolt, M6×12	1	

图 5	右盖	Model	JONWAY 150 LONG GY6 ENGINE	价格合计
Draft 5	RIGHT COVER COMP	Part No.	YYGYL1250500	Total



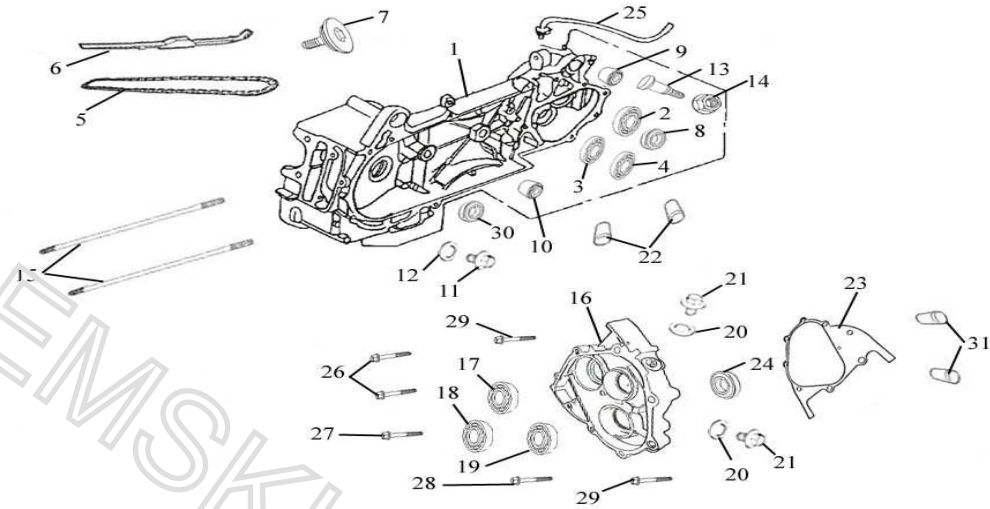
NO.	Part NO.	Chinese Name	Description	QTY	Unit price
1	YYGYL1250501	右盖	Cover, R. Crankcase	1	
2	GB3452.1-φ19	机油尺密封圈φ19	Seal O-Ring, Oil Level Gauge, φ19	1	
3	YYGYL1250502	机油尺	Oil Level Gauge	1	
4	YYGYL1250503	滤网	Oil Filter, Screen	1	
5	YYGYL1250504	滤网弹簧	Spring, Oil Filter Screen	1	
6	YYGYL1250505	滤网盖	Oil Filter, Cap	1	
7	YYGYL1250506	定位销φ8×φ6×14	Pin, Dowel φ8×φ6×14	2	
8	YYGYL1250507	右盖纸垫	Paper Gasket, R. Crankcase Cover	1	
9	GB9877-19.8×30×5	右盖油封19.8×30×5	Oil Seal, 19.8×30×5	1	
10	GB/T5789-M6×95	螺栓M6×95	Bolt, M6×95	4	
11	GB/T5789-M6×100	螺栓M6×100	Bolt, M6×100	1	
12	GB/T5789-M6×110	螺栓M6×110	Bolt, M6×110	2	
13	GB/T5789-M6×28	螺栓M6×28	Bolt, M6×28	2	

图 6	右箱体	Model	JONWAY 150 LONG GY6 ENGINE	价格合计
Draft 6	RIGHT CRANKCASE COMP	Part No.	YYGYL1250600	Total



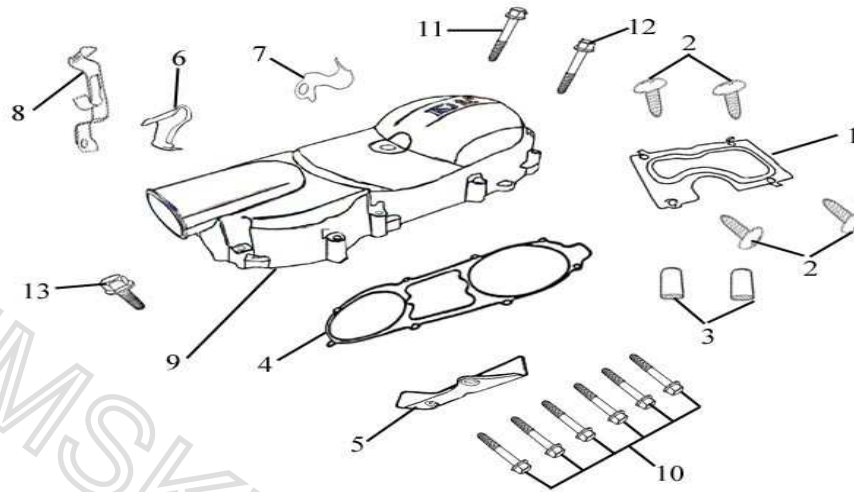
NO.	Part NO.	Chinese Name	Description	QTY	Unit price
1	YYGYL1250601	右箱体	Right Crankcase Assy	1	
2	YYGYL1250602	定位销 $\phi 8 \times \phi 6 \times 14$	Pin, Dowel $\phi 8 \times \phi 6 \times 14$	2	
3	YYGYL1250603	吊架缓冲套	Cushion Collar, Engine Mount	1	
4	YYGYL1250604	双头螺柱M6	Bolt M6 \times 188	2	
5	GB/T5789-M6 \times 50	法兰螺栓M6 \times 50	Flange Bolt M6 \times 50	2	
6	YYGYL1250605	曲轴箱纸垫	Paper Gasket Crankcase	1	

图 7	左箱体	Model	JONWAY 150 LONG GY6 ENGINE	价格合计
Draft 7	LEFT CRANKCASE COMP	Part No.	YYGYL1250700	Total



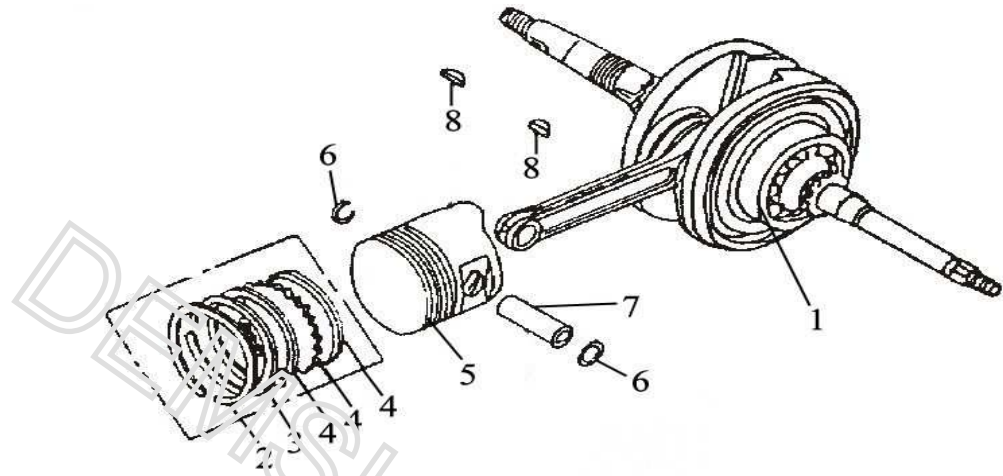
NO.	Part NO.	Chinese Name	Description	QTY	Unit price
1	YYGYL1250701	左曲轴箱体	Left Crankcase	1	
2	GB/T276-6301	深沟球轴承6301	Bearing, 6301	1	
3	GB/T276-6002	深沟球轴承6002	Bearing, 6002	1	
4	GB/T276-6004	深沟球轴承6004	Bearing, 6004	1	
5	YYGYL1250702	凸轮链条	Timing Chain, Cam	1	
6	YYGYL1250703	拉力杆	Tension Screw, Cam Timing Chain	1	
7	YYGYL1250704	拉力杆螺栓	Bolt, Tension Screw	1	
8	GB9877-27×42×7	油封27×42×7	Oil Seal, 27×42×7	1	
9	YYGYL1250705	减震缓冲套	Cushion Collar, Shock Absorb	1	
10	YYGYL1250706	吊架缓冲套	Cushion Collar, Engine Mount	1	
11	GB/T5789-M12×16	机油放油螺栓M12×16	Bolt, Drain Engine Oil, M12×16	1	
12	GB/T95-M12	铝垫圈12	Washer, M12	1	
13	YYGYL1250707	刹车蹄块固定销	Fixing Pin, Brake Shoe	1	
14	GB/T6187.1-M8	法兰锁紧螺母M8	Flange Lock Nut, M8	1	
15	YYGYL1250708	缸体双头螺柱M6	Bolt, M6×195	2	
16	YYGYL1250709	齿轮室盖	Gear Box Cover	1	
17	GB/T276-6204	深沟球轴承6204	Bearing, 6204	1	
18	GB/T276-6202	深沟球轴承6202	Bearing, 6202	1	
19	GB/T276-6203	深沟球轴承6203	Bearing, 6203	1	
20	GB/T95-φ8	铝垫圈φ8	Washer, φ8	2	
21	GB/T5789-M8×12	齿轮室放油、进油法兰螺栓M8×12	Flange Bolt, Filling/Draining Gear Oil, M8×12	2	
22	YYGYL1250710	定位销φ8×φ6×14	Pin, Dowel φ8×φ6×14	2	
23	YYGYL1250711	齿轮室纸垫	Paper Gasket, Gear Box	1	
24	GB9877-20×32×6	齿轮室盖油封20×32×6	Oil Seal, Gear Box Cap, 20×32×6	1	
25	YYGYL1250712	通气管	Breather Tube	1	
26	GB/T5789-M6×35	法兰螺栓M6×35	Flange Bolt, M6×35	2	
27	GB/T5789-M6×25	法兰螺栓M6×25	Flange Bolt, M6×25	1	
28	GB/T5789-M6×32	法兰螺栓M6×32	Flange Bolt, M6×32	1	
29	GB/T5789-M6×28	法兰螺栓M6×28	Flange Bolt, M6×28	2	
30	GB9877-19.8×30×5	左曲轴箱体油封19.8×30×5	Oil Seal, L. Crankcase, 19.8×30×5	1	
31	YYGYL1250713	定位销φ8×φ6×14	Pin, Dowel φ8×φ6×14	2	

图 8	左盖	Model	JONWAY 150 LONG GY6 ENGINE	价格合计
Draft 8	LEFT CRANKCASE COVER	Part No.	YYGYL1250800	Total

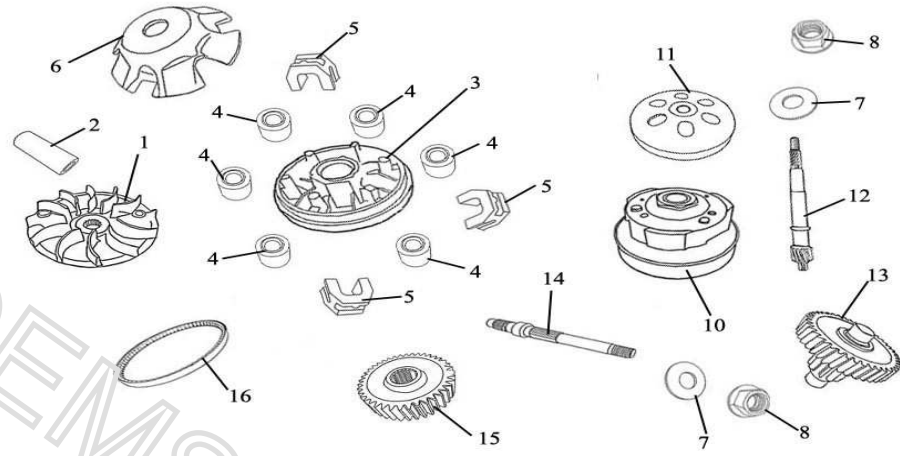


NO.	Part NO.	Chinese Name	Description	QTY	Unit price
1	YYGYL1250801	通气导流板	Guide Plate for Breather	1	
2	GB/T845-ST3.5×10	自攻螺钉ST3.5×10	Screw, Tapping ST3.5×10	4	
3	YYGYL1250802	定位销φ8×φ6×14	Pin, Dowel φ8×φ6×14	2	
4	YYGYL1250803	左箱盖垫片	Gasket, L. Crankcase Cover	1	
5	YYGYL1250804	主支架制止板	Retrain Plate Main Stand	1	
6	YYGYL1250805	刹车导线夹	Clip, Brake Wire/Cable	1	
7	YYGYL1250806	溢流管夹	Clip, Overflow Tube (15 RS without)	1	
8	YYGYL1250807	节流导线夹	Clip, Throttle Cable (15 RS without)	1	
9	YYGYL1250808	左盖	Left Crankcase Cover	1	
10	GB/T5789-M6×40	法兰螺栓M6×40	Flange Bolt, M6×40	6	
11	GB/T5789-M6×65	法兰螺栓M6×65	Flange Bolt, M6×65	1	
12	GB/T5789-M6×70	法兰螺栓M6×70	Flange Bolt, M6×70	1	
13	GB/T5789-M6×16	法兰螺栓M6×16	Flange Bolt, M6×16	1	

图 9	活塞连杆曲轴	Model	JONWAY 150 LONG GY6 ENGINE	价格合计
Draft 9	PISTON, CONNECTING ROD AND CRANKSHAFT COMP	Part No.	YYGYL1250900	Total

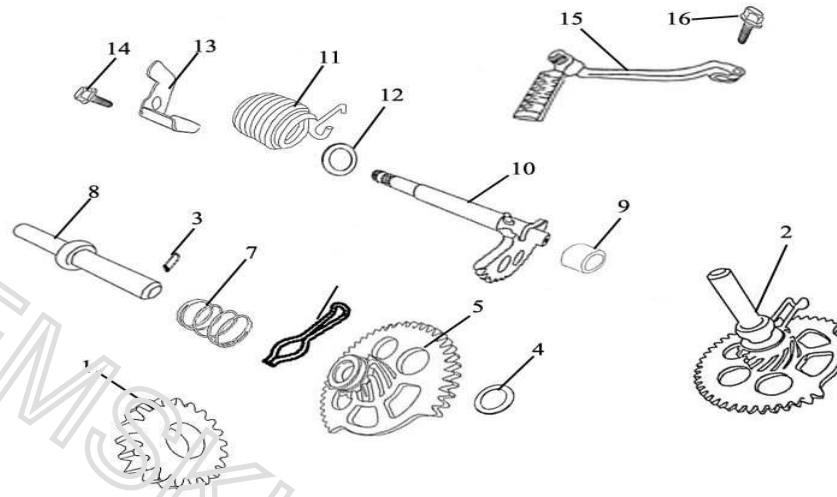


NO.	Part NO.	Chinese Name	Description	QTY	Unit price
1	YYGYL1250901	曲轴连杆总成	Crankshaft & Connecting Rod Comp	1	
2	YYGYL1250902	活塞环钢环	Steel Ring (1st Ring), Piston	1	
3	YYGYL1250903	活塞环碳环	Carbon Ring (2st Ring), Piston	1	
4	YYGYL1250904	活塞环刮片环/油环组合	Oil Ring Scraper Ring/Oil Ring Assembly	1	
5	YYGYL1250905	活塞	Piston	1	
6	YYGYL1250906	活塞销卡簧	Circlip, Piston Pin	2	
7	YYGYL1250907	活塞销	Pin, Piston	1	
8	YYGYL1250908	半圆键	Semi-circular Key	2	
图 10	CVT		Model	JONWAY 150 LONG GY6 ENGINE	价格合计
Draft 10	CVT		Part No.	YYGYL1251000	Total



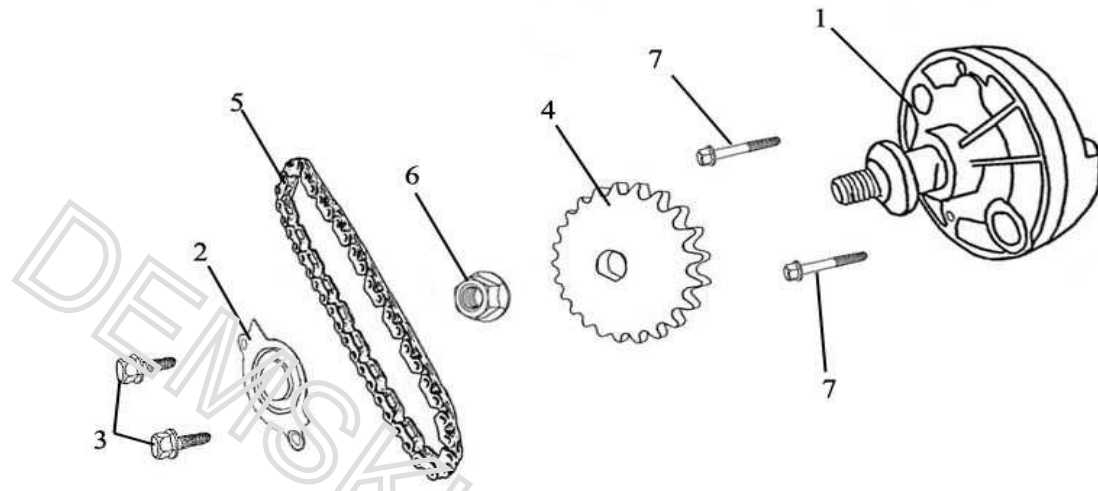
NO.	Part NO.	Chinese Name	Description	QTY	Unit price
1	YYGYL1251001	主动轮风叶	Impeller, Primary Driving System	1	
2	YYGYL1251002	主动轮衬套 φ15×φ24×51.5	Collar, Primary Driving System, φ15×φ24×51.5	1	
3	YYGYL1251003	主动轮盘	Primary Driving System	1	
4	YYGYL1251004	变速滚针	Roll Rod, Speed Shift, Primary Driving System	6	
5	YYGYL1251005	缓冲橡胶	Cushion Rubber	3	
6	YYGYL1251006	变速盘	Speed Shift Tray	1	
7	GB/T95-φ12	垫圈φ12	Washer, φ12	2	
8	GB/T6177.1-M12	螺母M12	Nut, M12	1	
9	GB/T6187.1-M12	法兰锁紧螺母M12	Nut, M12	1	
10	YYGYL1251007	从动轮	Subordinate Driven System	1	
11	YYGYL1251008	从动轮盖	Subordinate Driven Cover	1	
12	YYGYL1251009	驱动轴	Driven Mainshaft	1	
13	YYGYL1251010	中间齿轮	Center Gear	1	
14	YYGYL1251011	最终轴	Final Shaft	1	
15	YYGYL1251012	最终齿轮	Final Gear	1	
16	YYGYL1251013	皮带	Belt, CVT	1	

图 11	起动系统	Model	JONWAY 150 LONG GY6 ENGINE	价格合计
Draft 11	STARTER IDLE SHAFT COMP	Part No.	YYGYL1251100	Total



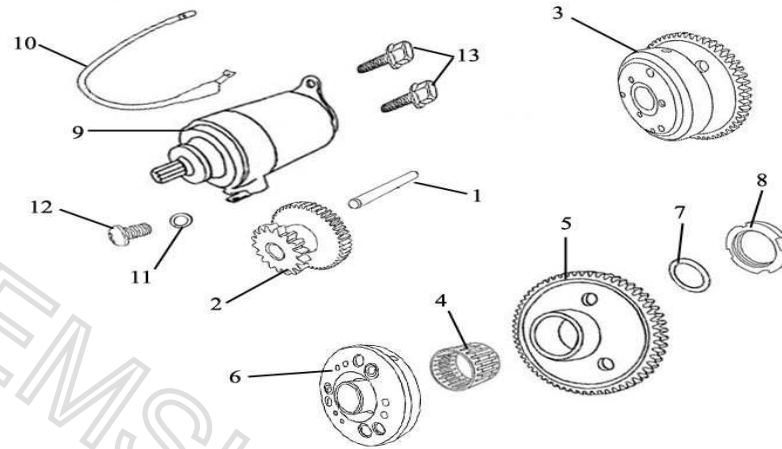
NO.	Part NO.	Chinese Name	Description	QTY	Unit price
1	YYGYL1251101	从动齿轮	Driven Gear, (Starter Gear)	1	
2	YYGYL1251102	惰性齿轮组合	Starter Idle Gear Assy	1	
3	YYGYL1251103	销轴	Pin, Starter Idle Gear	1	
4	YYGYL1251104	垫片	Washer, Starter Idle Gear	1	
5	YYGYL1251105	惰性齿轮	Starter Idle Gear	1	
6	YYGYL1251106	启动摩擦弹簧	Friction Spring, Starter Idle Gear	1	
7	YYGYL1251107	惰性齿轮弹簧	Spring, Starter Idle Gear	1	
8	YYGYL1251108	惰性齿轮轴	Axle, Starter Idle Gear	1	
9	YYGYL1251109	衬套φ13.8×φ18×16	Collar, φ13.8×φ18×16	2	
10	YYGYL1251110	启动轴	Kick Start Spindle Assy	1	
11	YYGYL1251111	启动回归弹簧	Spring, Kick Return	1	
12	GB/T95-φ14	垫片φ14	Washer, φ14	1	
13	YYGYL1251112	启动杆回归制止板	Retrain Plate, Kick Start Spindle	1	
14	GB/T5789-M6×12	法兰螺栓M6×12	Flange Bolt, M6×12	1	
15	YYGYL1251113	启动杆	Kick Start Pedal	1	
16	GB/T5789-M6×20	法兰螺栓M6×20	Flange Bolt, M6×20	1	

图 12	机油泵	Model	JONWAY 150 LONG GY6 ENGINE	价格合计
Draft 12	OIL PUMP COMP	Part No.	YYGYL1251200	Total



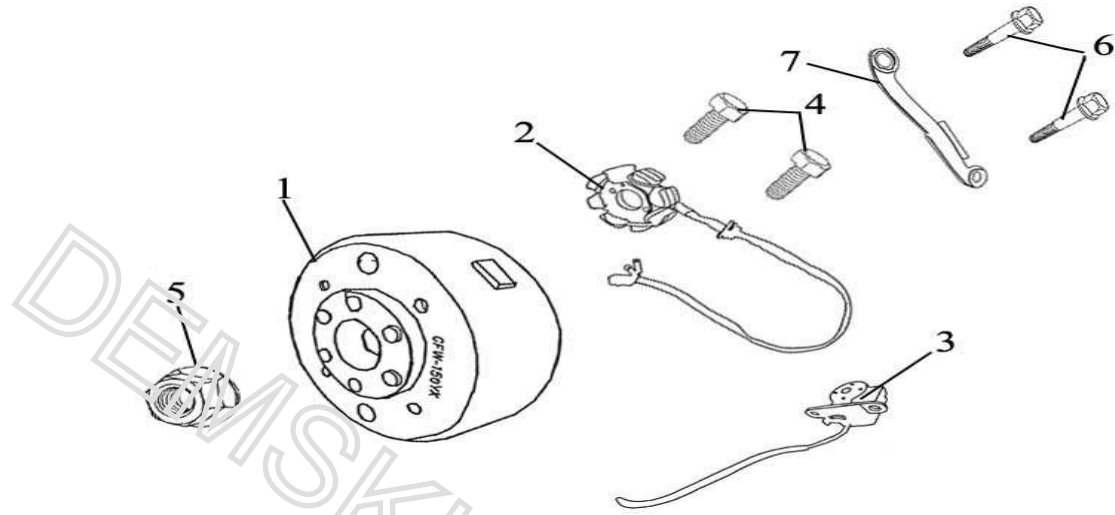
NO.	Part NO.	Chinese Name	Description	QTY	Unit price
1	YYGYL1251201	机油泵	Oil Pump	1	
2	YYGYL1251202	机油泵分隔板	Cover, Oil Pump	1	
3	GB/T5789-M6×12	法兰螺栓M6×12	Flange Bolt, M6×12	2	
4	YYGYL1251203	机油泵链轮	Sprocket, Oil Pump	1	
5	YYGYL1251204	机油泵链条	Chain, Oil Pump	1	
6	GB/T6177.1-M6	螺母M6	Nut, M6	1	
7	GB/T5789-M6×25	螺栓M6×25	Bolt, M6×25	2	

图 13	起动机	Model	JONWAY 150 LONG GY6 ENGINE	价格合计
Draft 13	STARTER MOTOR	Part No.	YYGYL1251300	Total



NO.	Part NO.	Chinese Name	Description	QTY	Unit price
1	YYGYL1251301	减速齿轮轴	Electric Start Gear Shaft	1	
2	YYGYL1251302	减速齿轮	Electric Start Gear	1	
3	YYGYL1251303	超越离合器组件	Start Clutch Subassembly	1	
4	YYGYL1251304	超越离合器滚针	Needle Bearing, Start Clutch	1	
5	YYGYL1251305	超越离合器齿轮	Start Clutch Gear	1	
6	YYGYL1251306	超越离合器盖	Start Clutch Cover	1	
7	GB/T95-φ22	垫圈φ22	Washer φ22	1	
8	YYGYL1251307	四爪倒纹螺母M22	Four Claw Lock Nut, M22	1	
9	YYGYL1251308	起动机	Start Motor	1	
10	YYGYL1251309	起动机正极线	Positive Cable, Start Motor	1	
11	GB/T93-φ4	弹簧垫圈φ4	Spring Washer, φ4	1	
12	GB/T818-M4×8	十字盘头螺钉M4×8	Screw, M4×8	1	
13	GB/T5789-M6×16	法兰螺栓M6×16	Flange Bolt, M6×16	2	

图 14	磁电机	Model	JONWAY 150 LONG GY6 ENGINE	价格合计
Draft 14	GENERATOR	Part No.	YYGYL1251400	Total



NO.	Part NO.	Chinese Name	Description	QTY	Unit price
1	YYGYL1251401	磁电机	Generator Assy	1	
2	YYGYL1251402	线圈	Magneto Coil, (Stator)	1	
3	YYGYL1251403	触发器	Trigger, (Flywheel)	1	
4	GB/T5781-M5×12	六角头螺栓M5×12	Hex Bolt, M5×12	2	
5	GB/T6187.1-M12	法兰锁紧螺母M12	Flange Lock Nut, M12	1	
6	GB/T5789-M6×22	法兰螺栓M6×22	Flange Bolt, M6×22	2	
7	YYGYL1251404	磁电机线夹	Circlip, Generator	1	

DEMSKI - OSTRÓN

--	--	--	--	--	--	--	--	--	--	--	--	--	--	--	--	--	--	--	--	--

DEMSKI - OSTRÓN

		QTY of order																										

DEMSKI - OSTRÓN

		QTY of order																		

DEMSKI - OSTRÓN

DEMSKI - OSTRÓN

		QTY of order																						

DEMSKI - OSTRÓN

		QTY of order																			

DEMSKI - OSTRÓN

		QTY of order					

DEMSKI - OSTRÓN

	QTY of order

DEMSKI - OSTRÓN

		QTY of order																							

DEMSKI - OSTRÓN

QTY of order

DEMSKI - OSTRÓN

		QTY of order											

