

XT50QT-2

零件目录

PARTS CATALOGUE

DEMŠKÝ-STRÓN

Content

1.SPEEDOMETER.....01	10.SEAT ASSY.....11
2.FRONT COVER.....02	11.FUEL BOX12
3.TAIL LIGHT03	12.VEHICLE FRAME.....13
4.SEAT LOCK.04	13.ELECTRIC ASSY.15
5. PROTECTING.05	14.FRONT ABSORBER17
6.FOOT BOARD07	15.REAR WHEEL ASSY.....18
7.AIR FILTER ASSY.....08	16.CABLE.....20
8.MUFFLER.09	17.FRONT WHEEL ASSY.....21
9.HANDLERBAR10	

一、仪表、仪表罩



NO.	Part NO.	Description	Description in English	数量 Qty	备注 Remark
1.	XT50QT-2-1109000000	仪表罩	COVER SPEEDOMETER; UPPER	1	
2.	XT50QT-2-1101000000	大灯前罩	COVER, HEAD LIGHT	1	
3.	XT50QT-2-1300000000	仪表	METERS	1	
4.	XT50QT-2-1201000000	前大灯	HEADLIGHT	1	
5.	XT50QT-2-1201000001	前大灯灯泡	BULB OF HEADLIGHT	1	
6.	GB/T845-1985	六角十字螺钉 M3×10	SCREW M3×10	1	
7.	GB/T823-1988	M5×15 台阶盘头螺钉	SCREW M5×15	1	
8.	GB/T845-1985	ST3.8×12 自攻螺钉	SELF-TAPPING SCREW ST3.8×12	2	

9.	GB/T845-1985	自攻螺钉 ST4.8×12	SELF-TAPPING SCREW ST4.8×12	3		
10.	GB/T845-1985	ST3.8×12 自攻螺钉	SELF-TAPPING SCREW ST3.8×12	2		
11.	GB/T823-1988	M5×25 十字盘头螺钉	SCREW M5×25	1		

二、前面板



NO.	Part NO.	Description	Description in English	数量 Qty	备注 Remark	
1.	XT50QT-2-1102000000	前面板	FRONT COVER	1		
2.	XT50QT-2-1110000000	前围	LITTLE COVER OF FRONT	1		

			COVER			
3.	XT50QT-2-1205000000	前小灯	PARKING LIGHTS	1		
4.	XT50QT-2-1204000000	前右转向灯	RIGHT TURNING LIGHT	1		
5.	XT50QT-2-1203000000	前左转向灯	LEFT TURNING LIGHT	1		
6.	GB/T845-1985	ST3.8×12 自攻螺钉	SELF-TAPPING SCREW ST3.8×12	6		
7.	XT50QT-2-1205000001	前位置灯灯泡	BULB OF PARKING LIGHTS	1		
8.	XT50QT-2-1814000000	喇叭支架	PLATE OF HORN	1		
9.	GB/T845-1985	ST3.8×12 自攻螺钉	SELF-TAPPING SCREW ST3.8×12	3		

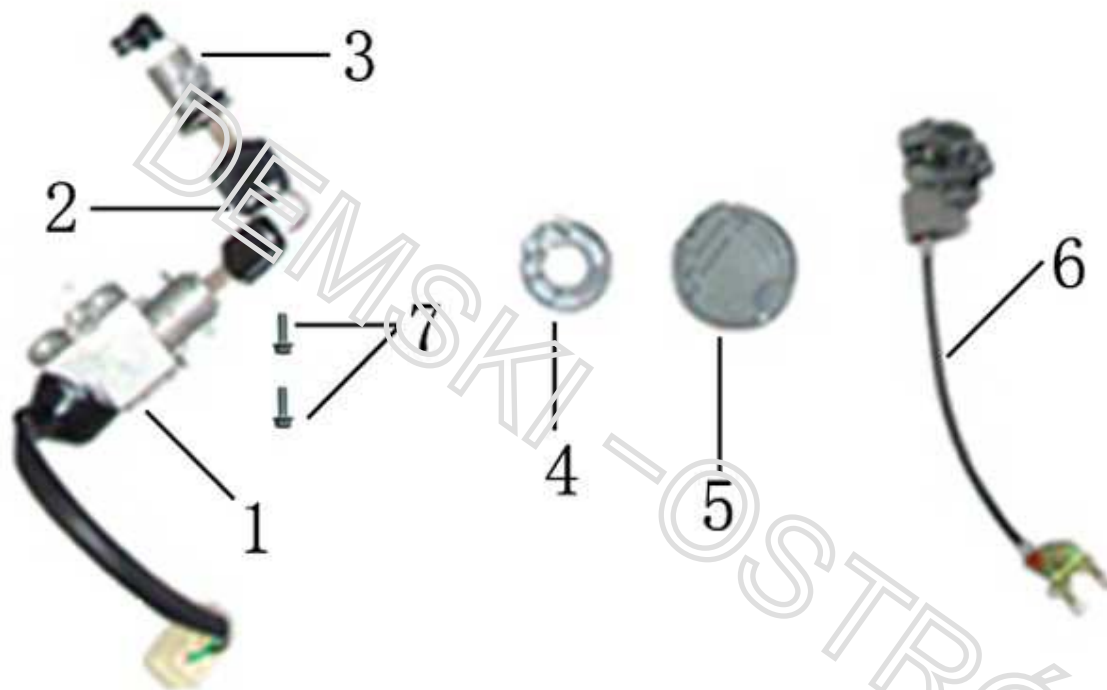
三、尾灯组件组件



NO.	Part NO.	Description	Description in English	数量 Qty	备注 Remark
1.	XT50QT-2-1111060000	后泥板	REAR FENDER	1	
2.	XT50QT-2-1202000000	后尾灯	REAR LAMP ASSY	1	
3.	XT50QT-2-1805000000	牌照支架	STAY, REAR REGISTRATION PLATE	1	
4.	XT50QT-2-1206000000	侧反射器	SIDE REFLECT	2	
5.	XT50QT-2-1202000001	后尾灯灯泡	BULB OF TAILLIGHT	1	
6.	GB/T6187.1-2000	六角盖型面螺母 M6	CASING NUT M6	2	
7.	GB/T5782-1986	六角法兰螺栓 M6×12	HEXAGON BOLT M6×12	2	
8.	JB608.1-99	自攻夹片	CLIP	2	
9.	GB/T16674-1996	六角法兰螺栓 M6×16	HEXAGON BOLT M6×16	2	
10.	GB/T6170-1986	六角螺母 M6	HEXAGON BOLT M6	2	
11.	GB/T95-2002	平垫 6	WASHER 6	2	
12.	XT50QT-2-1111040000	后护条	BACK PROTECTIVE COVER	1	

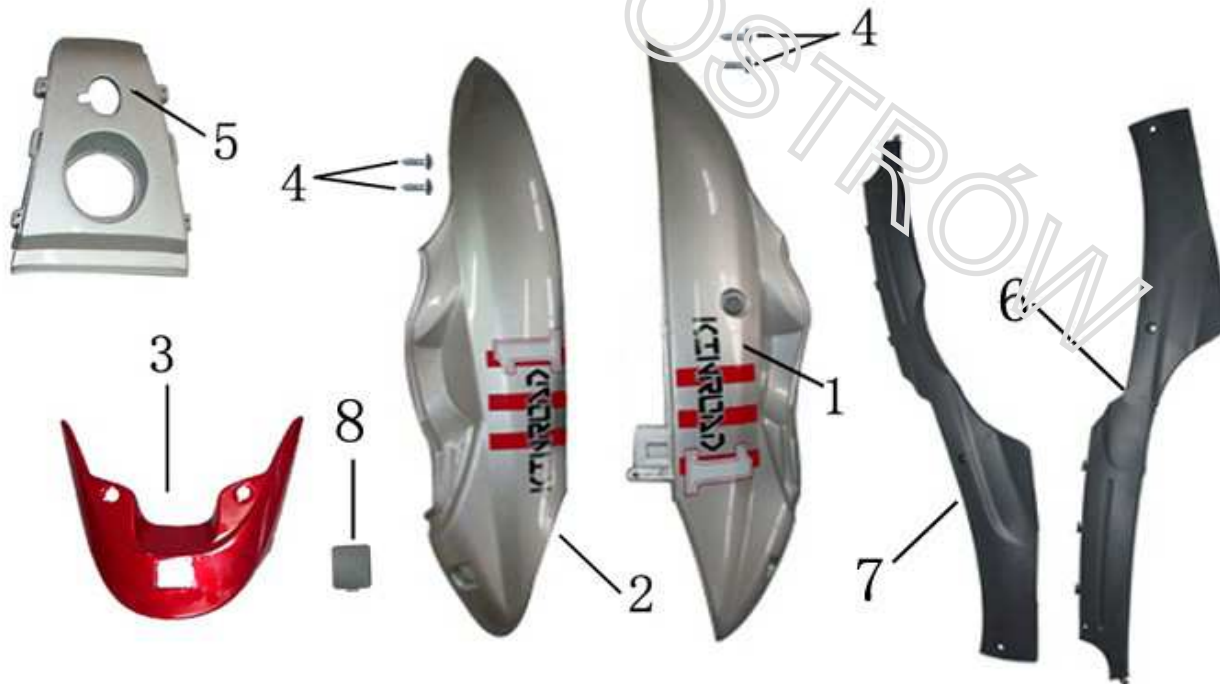
13	GB/T845-1985	ST4.2×16 自攻螺钉	SELF-TAPPING SCREW ST4.2×16	2		
14	XT50QT-2-1207000000	后反射器	RR.REFLECTOR	1		

四、锁类



NO.	Part NO.	Description	Description in English	数量 Qty	备注 Remark
1.	XT50QT-2-1210000001	点火锁	IGNITION LOCK	1	
2.	XT50QT-2-1210000002	钥匙	KEY	2	
3.	XT50QT-2-1210000003	坐垫锁	SEAT LOCK	1	
4.	XT50QT-2-12				
5.	XT50QT-2-03				
6.	XT50QT-2-09				
7.	GB/T16674-1				

五、左、右装饰板



DEMSKI - OSTRÓN

NO.	Part NO.	Description	Description in English	数量 Qty	备注 Remark
1.	XT50QT-2-1104000000	后左护板	SIDE COVER;LEFT	1	
2.	XT50QT-2-1105000000	后右护板	SIDE COVER;RIGHT	1	
3.	XT50QT-2-1108000000	后货架盖板	HAND HOLD COVER	1	
4.	GB/T845-1985	S74.2×16 自攻螺钉	SELF-TAPPING SCREW ST4.2×16	4	
5.	XT50QT-2-1106000000	后中间护板	REAR CENTER COVER	1	
6.	XT50QT-2-1111020000	左护条	L.SIDE BAR	1	
7.	XT50QT-2-1111030000	右护条	R.SIDE BAR	1	
8.	XT50QT-2-1111070000	后货架盖板(小盖)	REAR HAND HOLD COVER	1	

六、脚踏板组件



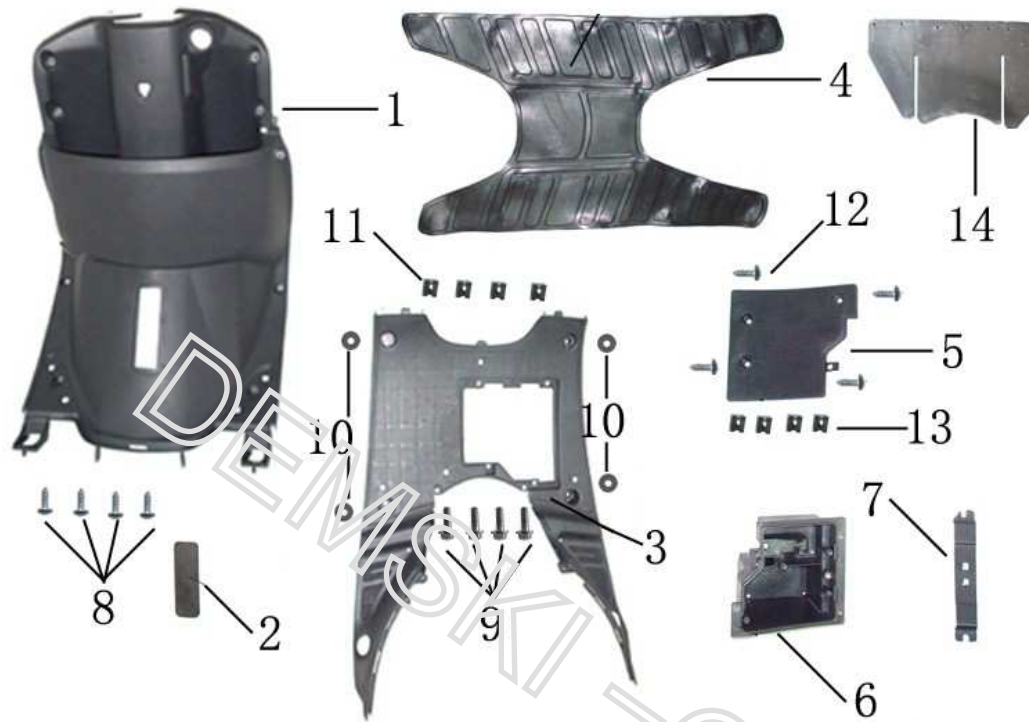
DEMSKI - OSTRÓW

NO.	Part NO.	Description	Description in English	数量 Qty	备注 Remark	
1.	XT50QT-2-1110100000	前工具箱	TOOL BOX	1		
2.	XT50QT-2-1111080000	车架号码盖	VIN NUMBER COVER	1		
3.	XT50QT-2-1110200000	脚踏底板	FOOT BOARD	1		
4.	XT50QT-2-1111100000	脚踏皮	FOOT SKIN	1		

5.	XT50QT-2-1110400000	电瓶盖	COVER OF BATTERY	1		
6.	XT50QT-2-1110300000	电瓶盒	BATTERY BOX	1		
7.	XT50QT-2-1111000000	电瓶压板	BATTERY FIXING PLATE	1		
8.	GB/T845-1985	ST3.8×16 自攻螺钉	SELF-TAPPING SCREW ST3.8×16	4		

DEMSKI - OSTRÓW

六、脚踏板组件



NO.	Part NO.	Description	Description in English	数量 Qty	备注 Remark
1.	GB/T16674-1996	六角法兰面螺栓 M6×25	HEXAGON BOLT M6×25	4	
2.	GB/T95-2002	大垫圈 6	WASHER 6	4	
3.	JB608.1-99	自攻夹片	CLIP	4	
4.	GB/T845-1985	自攻螺钉 ST4.8×16	SELF-TAPPING SCREW ST4.8×16	4	
5.	JB608.1-99	自攻夹片	CLIP	4	
14.	YT520CT-2-4441121222	后挡皮	SKIN	4	

七、空滤器总成

NO : 08



DEMSKI OSTRÓW

NO.	Part NO.	Description	Description in English	数量 Qty	备注 Remark
1.	XT50QT-0201000000	空气滤清器	AIR FILTER	1	
2.	XT50QT-0201000000	空气滤清器滤芯	AIR FILTER ELEMENT	1	
3.	XT50QT-0201000000	空气滤清器盖	AIR FILTER COVER	1	
4.	GB/T16617	螺栓	BOLT	2	
5.	XT50QT-0201000000	空气滤清器壳体	AIR FILTER HOUSING	1	

八、排气消声器



NO.	Part NO.	Description	Description in English	数量 Qty	备注 Remark	
1.	XT50QT-2- 0401000000	消声器	MUFFLER	1		
2.	XT50QT-2- 0401010000	补气阀	AIR FEED SUPPLY VALVE	1		
3.	XT50QT-2- 0401020000	控制阀	AIR FEED CONTROL VALVE	1		
4.	XT50QT-2- 0401030000	补气管	CANNULATION	1		
5.	XT50QT-2- 0401040000	卡箍	CLIP	2		
6.	XT50QT-2- 0401050000	密封垫	PAPER CUSHION	1		

7.	XT50QT-2-0402000000	密封垫	GASKET , EXHAUST OUTLET	1		
8.	GB923 - 88	六角盖形螺母 M6 (铬)	CASING NUT M6	2		
9.	GB/T5781-2000	六角螺栓 M6×16	BOLT M6×16	2		
10.	GB/T16674-1996	六角法兰面螺栓 M8×35	HEXAGON BOL M8×35T	2		

九、方向把总成



NO.	Part NO.	Description	Description in English	数量 Qty	备注 Remark	
1.	XT50QT-2-0906000000	方向把	HANDLE BAR	1		
2.	XT50QT-2-0909000000	左把套	LEFT HANDLEBAR	1		
3.	XT50QT-2-0910000000	油门转把	RIGHT GRIP	1		
4.	XT50QT-2-0907000000	左开关分部件	SWITCH OF LEFT HAND	1		
5.	XT50QT-2-0908000000	右开关分部件	SWITCH OF RIGHT HAND	1		
6.	XT50QT-2-0905000000	后视镜	MIRROR	2		

7.	GB/T16674-1996	法兰螺栓 M10×1.25×45	HEXAGON BOLT M10×1.25×45	1		
8.	GB/T6187.1-2000	法兰锁紧螺母 M10×1.25	HEXAGON BOLT M10×1.25	1		
9	XT50QT-2- 0906000001	元宝垫	WASHER	1		

十、座垫总成



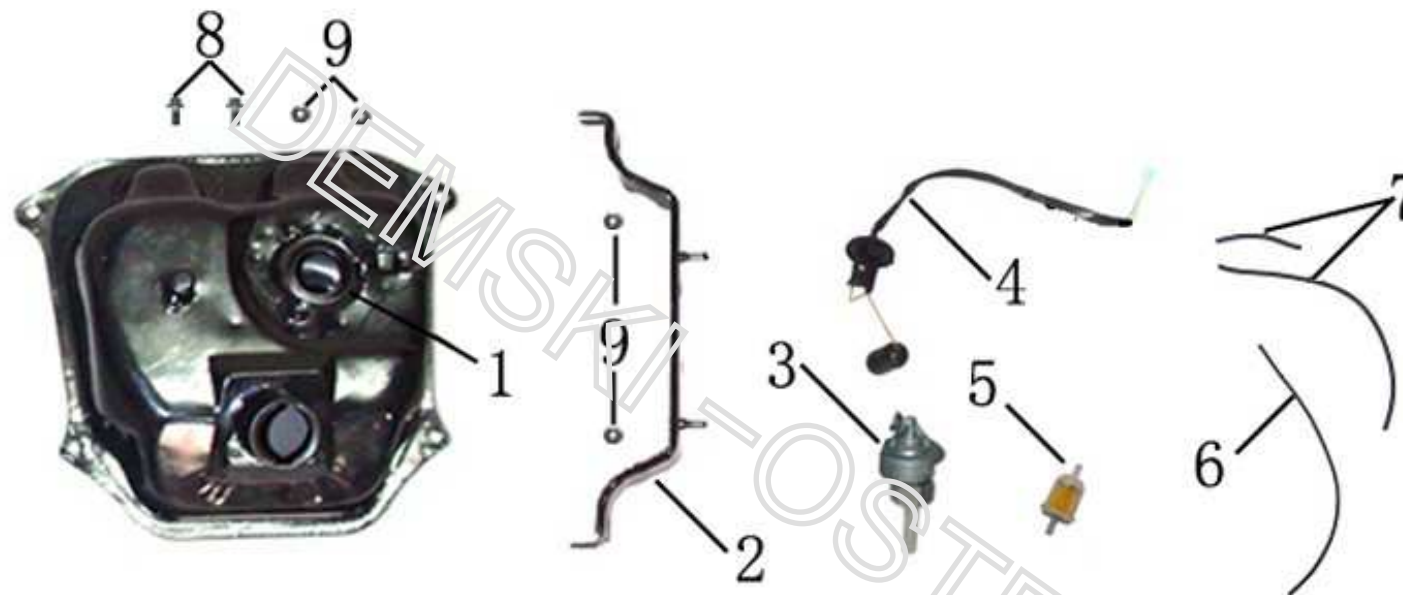
DEMSKI - OSTRON

NO.	Part NO.	Description	Description in English	数量 Qty	备注 Remark	
1.	XT50QT-2-1110800000	杂物箱前罩	FRONT COVER OF LUGGAGE	1		
2.	XT50QT-2-1000000000	座垫	SAET ASSY	1		
3.	JB608.2-99	夹片 M6	CLIP M6	1		
4.	XT50QT-2-1110600000	杂物箱	LUGGAGE BOX	1		
5.	XT50QT-2-1110700000	杂物箱内罩	INNER COVER OF LUGGAGE	1		
6.	GB/T95-2002	大垫圈 6 (军绿)	WASHER 6	4		

7.	GB/T6187.1-2000	六角法兰面螺母 M6	HEXAGON BOLT M6	4		
8.	GB/T845-1985	M6×12 十字大盘头螺钉	SCREW M6×12	1		

十一、油箱总成

NO : 12



DEMSKI - OSTROW

NO.	Part NO.	Description	Description in English	数量 Qty	备注 Remark	
1.	XT50QT-2-0301000000	油箱	FUEL BOX	1		
2.	XT50QT-2-1812000000	油箱压板	PLATE OF FUEL BOX	1		
3.	XT50QT-2-0302000000	油箱开关	SWITCH PETCOCK	1		
4.	XT50QT-2-0308000000	燃油传感器	FUEL SENSOR UNIT	2		
5.	XT50QT-2-0306000000	燃油过滤器	FUEL FILTER	1		

6.	XT50QT-2-0304000000	负压管	GAS HOSE	1		
7.	XT50QT-2-0303000000	油管	FUEL TUBE	1		
8.	GB/T16674-1996	六角法兰面螺栓 M6×12	HEXAGON BOLT M6×12	2		
9.	GB/T6187.1-2000	六角法兰面螺母 M6	HEXAGON BOLT M6	2		

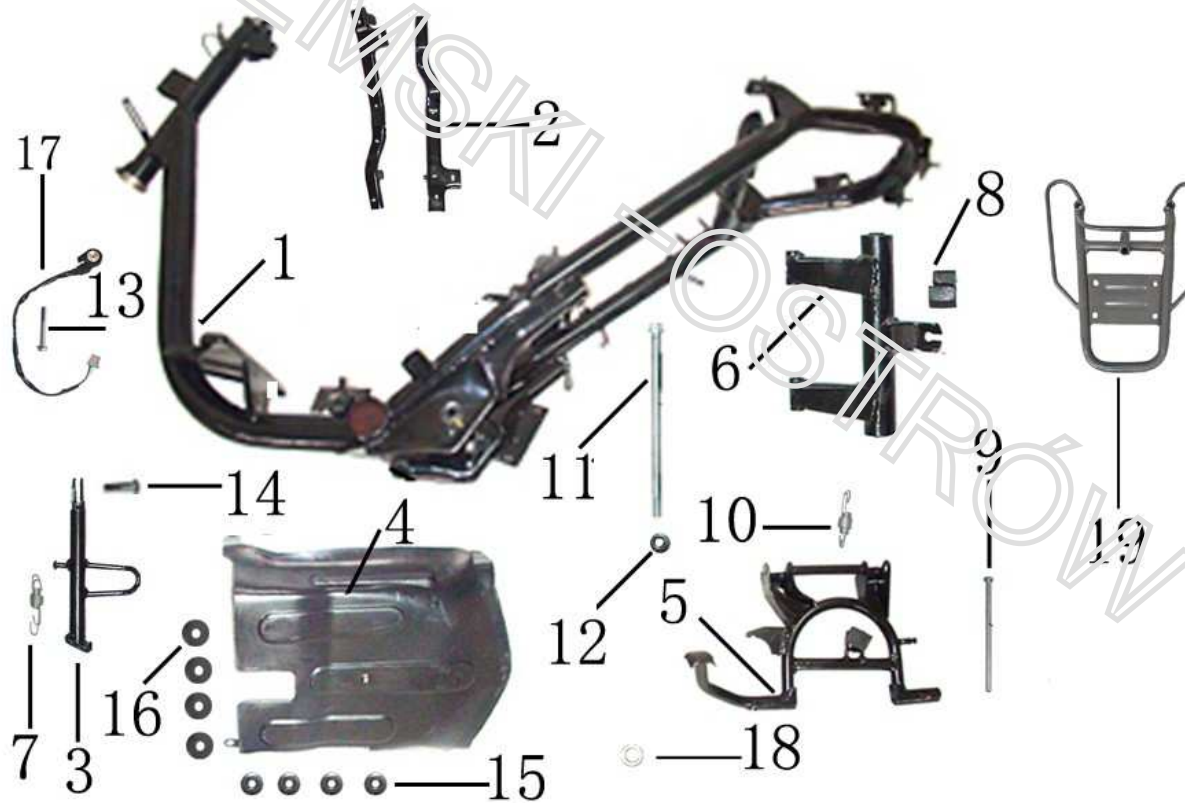
十二、车架总成



NO.	Part NO.	Description	Description in English	数量 Qty	备注 Remark	
1 .	XT50QT-2-0601000000	车架	VEHICLE FRAME	1		
2.	XT50QT-2-0601000001	左右车体支架	BODY BRACKET	2		
3.	XT50QT-2-0603000000	单撑	SIDE STAND	1		
4.	XT50QT-2-1110500000	车架挡泥板	FENDER , VEHICLE FRAME	1		
5.	XT50QT-2-0604000000	双撑	CENTER STAND	1		
6.	XT50QT-2-0602000000	摇架	HANGER	1		

7.	XT50QT-2- 1701000000	侧支撑拉簧	SPRING OF SIDE STAND	2		
8.	XT50QT-2- 1606000000	摇架缓冲橡皮	BUFFER OF HANGER	1		
9.	XT50QT-2- 1804000000	停车主支架轴 (带销孔)	SHAFT , CENTER STAND	1		
10.	XT50QT-2- 1701000000	停车主支架弹簧	SPRING , MAIN STAND	2		

十二、车架总成

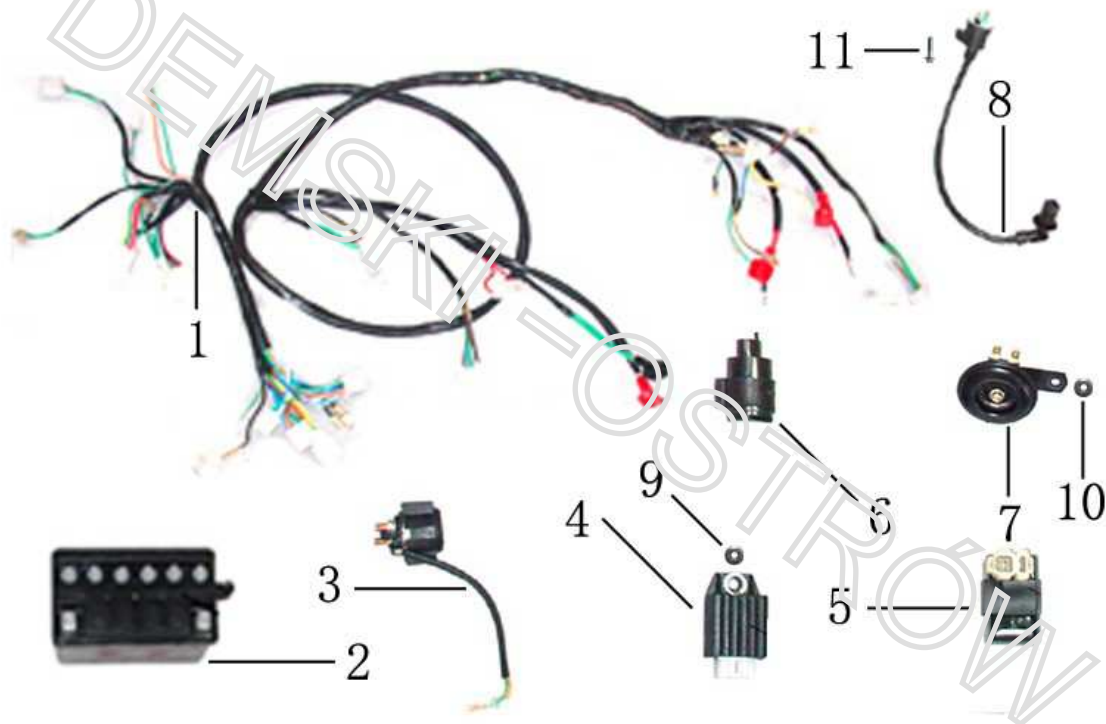


DEMSKI - OSTROW

NO.	Part NO.	Description	Description in English	数量 Qty	备注 Remark	
11.	XT50QT-2- 1801000000	摇架安装轴	HANGER BOLT	1		
12.	GB/T6187.1-2000	六角法兰面锁紧螺母 M10	HEXAGON BOLT M10	1		
13.	GB/T6187.1-2000	六角法兰面螺栓 M8×40	HEXAGON BOLT M8×40	1		
14.	XT50QT-2- 1815000000	侧支撑固定螺栓	BOLT OF SIDE STANE	1		
15.	GB/T6187.1-2000	六角法兰面螺母 M6	HEXAGON BOLT M6	4		
16.	GB/T95-2002	垫圈 6	WASHER 6	4		

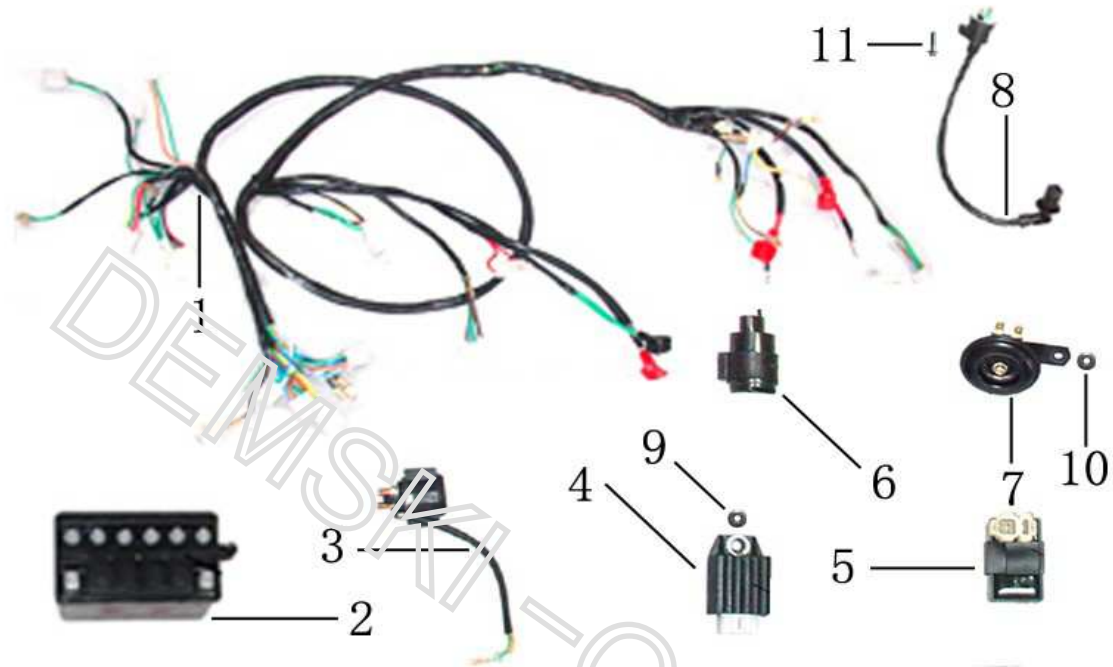
17	XT50QT-2-0701000001	侧支架熄火开关	STOPPING SWITCH , SIDE STAND	1		
18	XT50QT-2-1803000000	发动机安装衬套	ENGINE BUSHING	1		
19	XT50QT-2-140200000	后货架	R.GOODS FRAME	1		

十三、电器总成



NO.	Part NO.	Description	Description in English	数量 Qty	备注 Remark	
1.	XT50QT-2-0702000000	主电缆	CABLE	1		
2.	XT50QT-2-0701000000	蓄电池	BATTERY BOX	1		
3.	XT50QT-2-0709000000	继电器	CAP RELAY ASSY	1		
4.	XT50QT-2-0706000000	整流器	RECTIFIER ASSY	1		
5.	XT50QT-2-0707000000	点火器	CDI ASSY	1		
6.	XT50QT-2-1208000000	闪光器	FLASHER	1		

十三、电器总成



NO.	Part NO.	Description	Description in English	数量 Qty	备注 Remark
7	XT50QT-2-1209000000	喇叭	HORN	1	
8.	XT50QT-2-0708000000	高压包	HIGH VOLTAGE WIRE ASSY	1	
9.	GB/T6187.1-2000	六角法兰面螺母 M6	HEXAGON BOLT M6	1	
10.	GB/T6187.1-2000	六角法兰面螺母 M6	HEXAGON BOLT M6	1	
11	GB/T5783-1986	六角螺栓 M6×16	BOLT M6×16	1	

十四、前减震

NO : 17



NO.	Part NO.	Description	Description in English	数量 Qty	备注 Remark
1.	XT50QT-2- 0803000000	前右减震器	FRONT RIGHT ABSORBER ASSY	1	
2.	XT50QT-2- 0802000000	前左减震器	FRONT LEFT ABSORBER ASSY	1	
3.	XT125T-6-0614000000	下联板	STEERING COLUMN	1	
4.	XT50QT-2- 0805000000	上钢碗	UPPER COVER BEARING BOWL	1	
5.	XT50QT-2- 0806000000	下钢碗	UNDER COVER BEARING BOWL	1	
6.	XT50QT-2- 0807000000	压紧螺母	COMPACTION NUT	1	
7.	XT50QT-2- 0808000000	锁紧螺母	LOCK NUT	1	
8.	XT50QT-2- 0809000000	上内钢碗	UPPER COVER BEARING BOEWL	1	
9.	XT50QT-2- 0810000000	下内钢碗	UNDER COVER BEARING BOEWL	1	
10.	XT50QT-2- 0811000000	带保持架滚珠 (上)	UPPER BALL ASSY	1	
11.	XT50QT-2- 0812000000	带保持架滚珠 (下)	UNDER BALL ASSY	1	

十五、后轮总成



DEMSKI - OSTROW

NO.	Part NO.	Description	Description in English	数量 Qty	备注 Remark	
1.	XT50QT-2-0512000000	后轮胎	TYRE	1		
2.	XT50QT-2-0508000000	后铝轮	REAR WHEEL	1		
3.	XT50QT-2-1111060000	后轮泥板	FENDER OF REAR WHEEL	1		
4.	XT50QT-2-0801000000	后减震器	REAR ABSORBER ASSY	1		
5.	XT50QT-2-	后轮挡泥板支架	BRACKET PLATE	1		

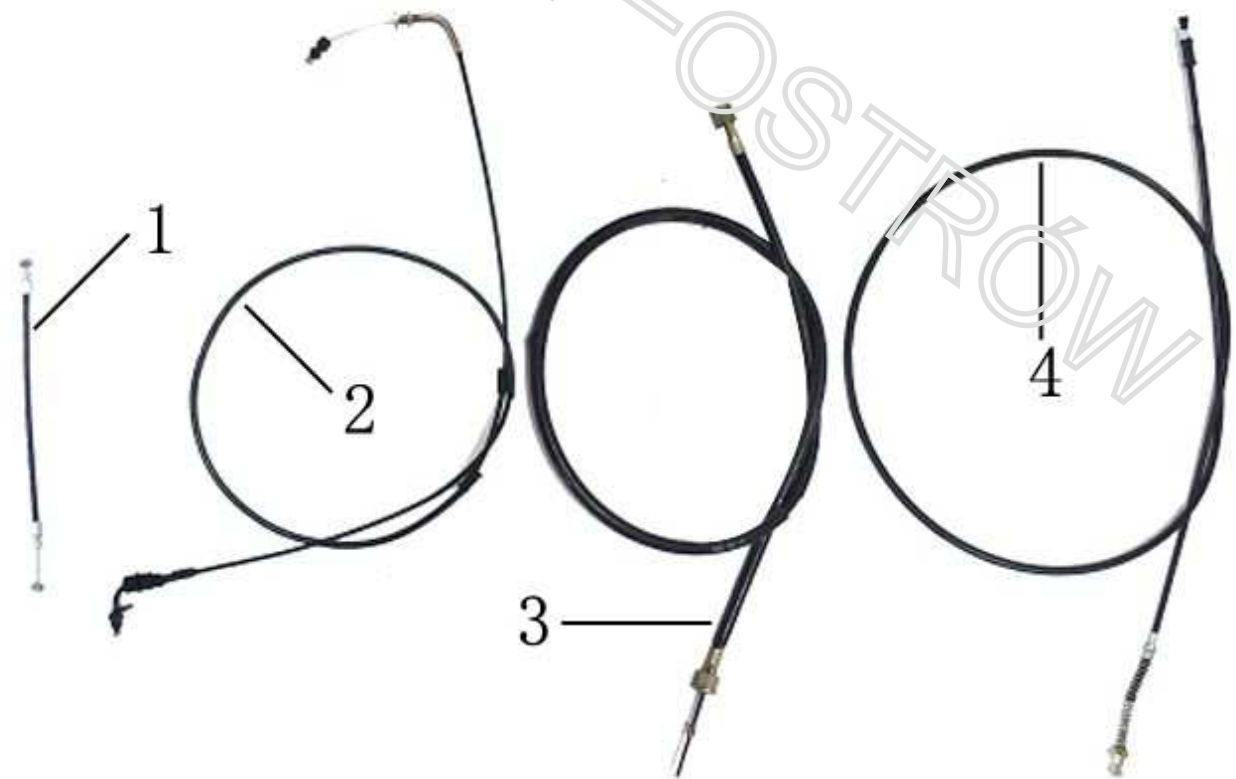
	1810000000				
6.	GB/T16674-1996	六角法兰面螺栓 M6×12	HEXAGON BOLT M6×12	2	
7.	XT50QT-2-0511000000	后制动蹄块	BRAKE SHOE	2	

十五、后轮总成



DEMSKI - OSTROW

NO.	Part NO.
8	XT50QT-2-051000000
9.	XT50QT-2-050900000
10.	GB/T6187.
11	GB/T16674
12	GB/T16674
13	GB/T6187.



Remark	

十六、线束总成

DEMSKI - OSTRÓN

NO.	Part NO.	Description	Description in English	数量 Qty	备注 Remark
1.	XT50QT-2-0904000000	座垫锁拉线	SEAT LOCK CABLE	1	
2.	XT50QT-2-0901000000	油门线	THROTTLE CABLE	1	
3.	XT50QT-2-0902000000	里程表线	SPEEDOMETER CABLE	1	
4.	XT50QT-2-0903000000	后刹车线	REAR BRAKE CABLE	1	

十七、前轮总成

NO : 21



DEMSKI - OSTROW

NO.	Part NO.	Description	Description in English	数量 Qty	备注 Remark	
1 .	XT50QT-2- 0504000000	前轮胎	TYRE	1		
2.	XT50QT-2- 0501000000	前铝轮	FRONT WHEEL	1		
3.	XT50QT-2- 0502000000	前轮轴	AXLE OF FRONT WHEEL	1		
4.	XT50QT-2- 0503000000	前轮轴套	BUSHING OF FRONT WHEEL	1		

5.	XT50QT-2- 0505000000	液压盘式制动器	DISK BRAKE	1		
6.	XT50QT-2- 0506000000	制动盘	PLATE DISK BRAKE	1		
7.	XT50QT-2- 1103000000	前轮挡泥板	FRONT FENDER	1		

十七、前轮总成

NO. 22



DEMSKI - OSTROW

NO.	Part NO.	Description	Description in English	数量 Qty	备注 Remark
8	XT50QT-2- 1808000000	前挡泥板支架	BRACKET OF FRONT FENDER	1	
9	GB/T16674-1996	内六角螺栓 M8×16	BOLT M8×16	2	
10.	GB/T16674-1996	六角法兰面螺栓 M8×40	HEXAGON BOLT M8×40	2	
11	GB/T16674-1996	六角法兰螺栓 M6×12	HEXAGON BOLT M6×12	2	
12	GB/T16674-1996	六角法兰螺栓 M6×12	HEXAGON BOLT M6×12	2	
13 .	XT50QT-2- 0507000000	计数器	COUNTER	1	

14	XT50QT-2- 1107000000	前泥后部	TAIL, FRONT FENDER	1		
----	-------------------------	------	--------------------	---	--	--

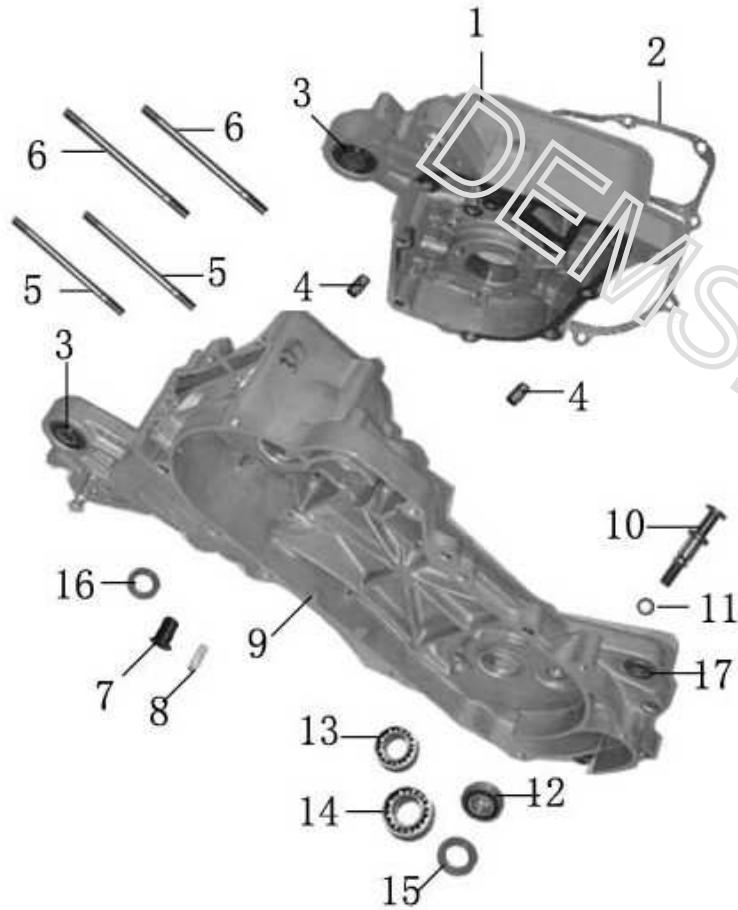
ENGINE TYPE : 139QMB

Content

1. CRANKCASE01
2. CRANK SHAFT & CYLINDER.....	.02
3. OIL PUMP & START MOTOR.....	.03
4. RIGHT CRANKCASE COVER&GENERATOR.....	.04
5. CYLINDER HEAD &AIR VALVE ASSY.....	.05
6. CYLINDER HEAD CAP &FAN COVER06
7. LEFT COVER& START WHEEL ASSY07
8. TRANSMISSION ASSY.....	.08
9. REAR TRANSMISSION ASSY09

E1 曲轴箱 CRANKCASE

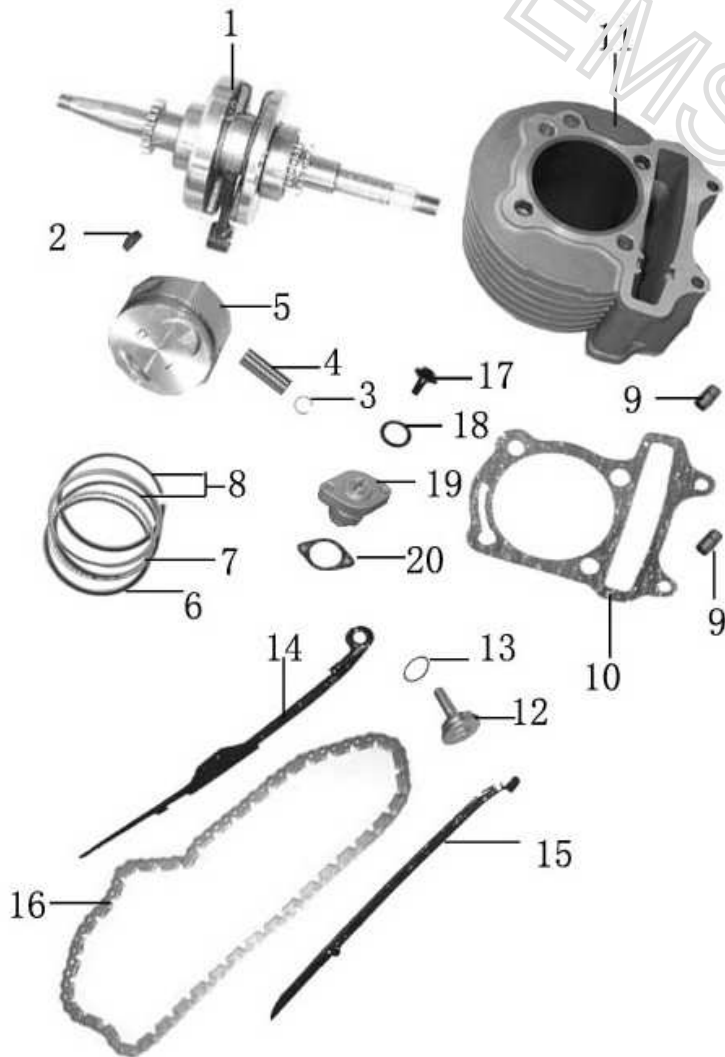
NO : 01



序号	件号	中文名称	英文名称	数量	备注
No	Part No	Chinese	Description	Qty	Remark
1	139QMB1001	右曲轴箱	R.CRANKCASE	1	
2	139QMB1002	衬垫	GASKET	1	
3	139QMB1003	橡胶衬套	RUBBER BUSH	2	
4	139QMB1004	定位销 8*14	PISTON PIN8*14	2	
5	139QMB1005	螺柱 A7*176	STUDS A7*176	2	
6	139QMB1006	螺柱 B7*168	STUDS B7*168	2	
7	139QMB1007	双撑衬套	BUSH,CENTER STAND	2	
8	139QMB1008	弹簧挂销	PIN FOR SPRING	1	
9	139QMB1009	左曲轴箱	L.CRANKCASE	1	
10	139QMB1010	固定销	FIXED PIN	1	
11	139QMB1011	O型圈 7.5*1.5	O-RING7.5*1.5	1	
12	139QMB1012	轴承 6203	BEARING6203	1	
13	139QMB1013	轴承 6201	BEARING6201	1	
14	139QMB1014	轴承 6303	BEARING6303	1	
15	139QMB1015	油封 27*42*7	OIL SEAL27*42*7	1	
16	139QMB1016	油封 19.8*30*5	OIL SEAL19.8*30*5	1	
17	139QMB1017	橡胶衬套	RUBBER BUSH	1	

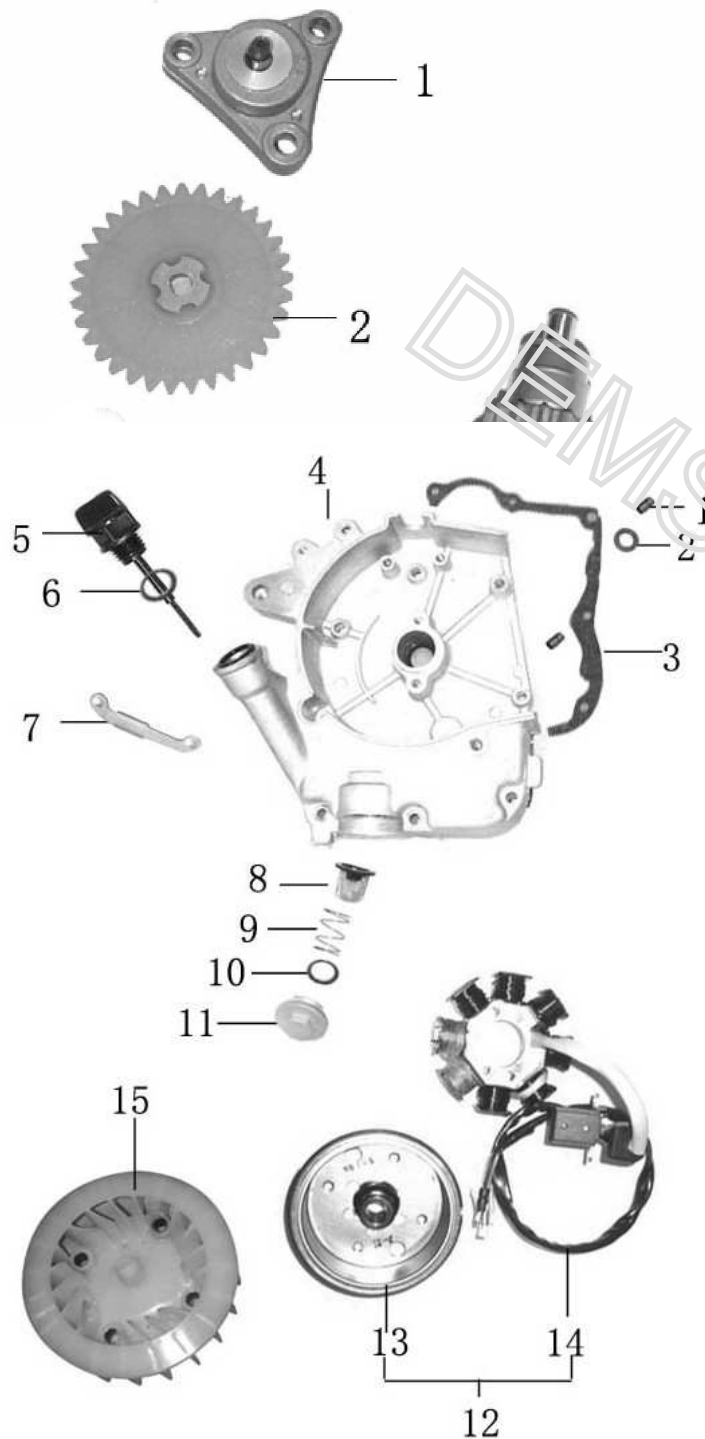
E2 曲轴，气缸 CRANK SHAFT & CYLINDER

NO: 02



序号	件号	中文名称	英文名称	数量	备注
No	Part No	Chinese	Description	Qty	Remark
1	139QMB2001	曲轴连杆组合	CRANKSHAFT&TIE ROD	1	
2	139QMB2002	半圆键	KEY	1	
3	139QMB2003	活塞销挡圈	COLLAR , PISTON PIN	2	
4	139QMB2004	活塞销	PISTON PIN	1	
5	139QMB2005	活塞	PISTON	1	
6	139QMB2006	活塞环 (1)	PISTON RING (1)	1	
7	139QMB2007	活塞环 (2)	PISTON RING (2)	1	
8	139QMB2008	油环组合	OIL RING PIN	1	
9	139QMB2009	定位销 8*14	PISTON PIN8*14	2	
10	139QMB2010	密封垫	GASKET	1	
11	139QMB2011	气缸	CYLINDER	1	
12	139QMB2012	螺栓	BOLT	1	
13	139QMB2013	O 型圈 15.2*1.5	O-RING15.2*1.5	1	
14	139QMB2014	链条张紧杆	TENSIONER POLE	1	
15	139QMB2015	链条导片	GUIDE POLE , CHAIN	1	
16	139QMB2016	正时链条	TIMING CHAIN	1	
17	139QMB2017	螺栓	BOLT	1	

	18	139QMB2018	O 型圈 7.5*1.5	O-RING7.5*1.5	1		
	19	139QMB2019	链条调整器	ADJUSTER , CHAIN	1		
	20	139QMB2020	垫片	GASKET	1		
E3 机油泵 , 启动电机 OIL PUMP &	序号	件号	中文名称	英文名称	数量	备注	
	No	Part No	Chinese	Description	Qty	Remark	
	1	139QMB3001	机油泵	OIL PUMP	1		
	2	139QMB3002	泵链轮	SPROCKET	1		
	3	139QMB3003	O 型圈 9*1.6	O-RING9*1.6	2		
	4	139QMB3004	定位销 8*10	PISTON PIN8*10	1		
	5	139QMB3005	电机离合器	ELECTROMOTOR CLUTCH	1		
	6	139QMB3006	衬套 14*18*21.5	BUSH14*18*21.5	1		
	7	139QMB3007	启动电机	STARTING MOTOR	1		



序号	件号	中文名称	英文名称	数量	备注
No	Part No	Chinese	Description	Qty	Remark
1	139QMB4001	定位销 8*14	POSITION PIN8*14	2	
2	139QMB4002	油封 16.4*30*5	OIL SEAL16.4*30*5	1	

&AIR VALVE ASSY

NO : 05

1	139QMB5001	定位销 8*14	POSITION PIN8*14	2		
2	139QMB5002	垫片	GASKET	1		
3	139QMB5003	排气门	EXHAUST VALVE	1		
4	139QMB5004	进气门	INLET VALVE	1		
5	139QMB5005	气缸头	CYLINDER HEAD	1		
6	139QMB5006	螺栓 M6*32	BOLT M6*32	2		
7	139QMB5007	螺栓 M6*62	BOLT M6*62	2		
8	139QMB5008	垫片	GASKET	1		
9	139QMB5009	隔热板	BOARD	1		
10	139QMB5010	O 型圈 27*2	O-RING27*2	1		
11	139QMB5011	进气管	PIPE INLET	1		
12	139QMB5012	卡箍	HOOP	1		
13	139QMB5013	气门摇臂座	ROCKER ARM SEAT	1		
14	139QMB5014	火花塞	SPARK PLUG	1		
15	139QMB5015	气门锁夹	VALVE CLIP	4		
16	139QMB5016	气门弹簧座	SPRING UPPER SEAT	2		
17	139QMB5017	气门内弹簧	INNER VALVE SPRING	2		
18	139QMB5018	气门外弹簧	OUTER VALVE SPRING	2		
19	139QMB5019	气门弹簧上座	SPRING SEAT	2		
20	139QMB5020	气门油封	OIL SEAL VALVE	2		
21	139QMB5021	凸轮轴组	CAM ASSY	1		

DEMSKI - OSTRÓN