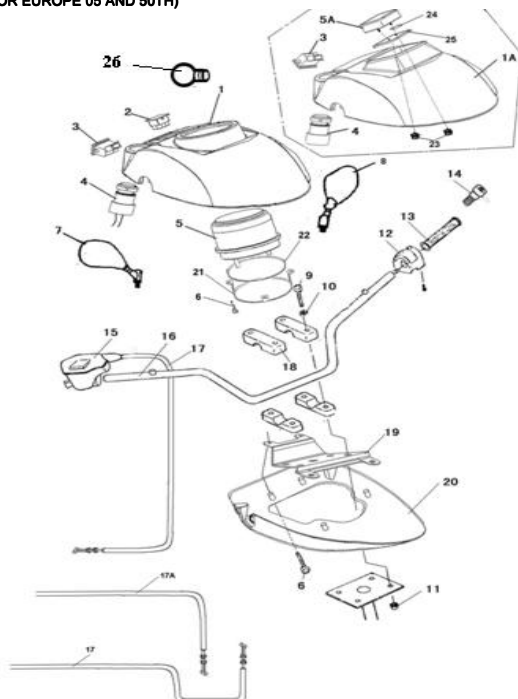


ATV 260 , 300 MUDDY TUTTE LE VERSIONI PARTI DI RICAMBIO

* FOR NEW CARBURETOR JOINT AND NEW CARBURETOR

1A HANDLEBAR (FOR EUROPE 05 AND 50TH)

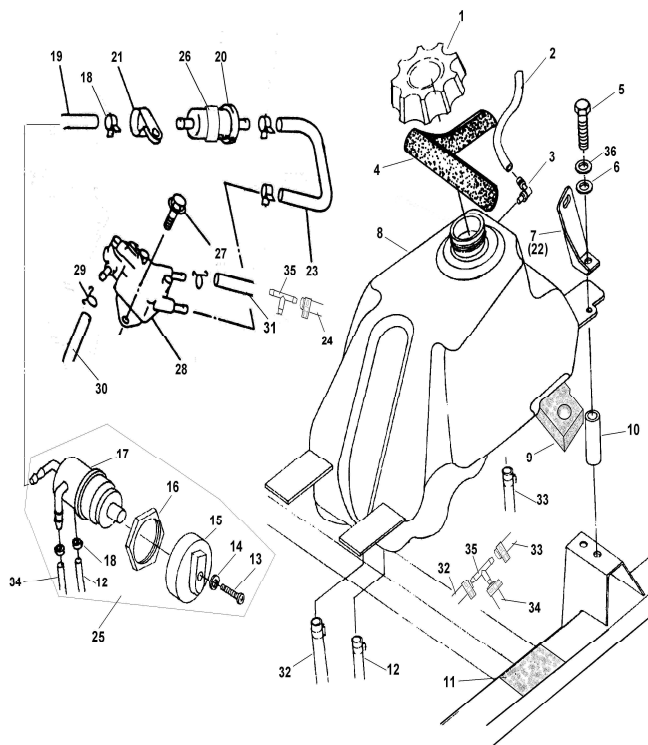


| REF.No. | CODICE RICAMBIO | DESCRIZIONE | Q'TY |
|---------|-----------------|---|------|
| 1 | 20104f | INSTRUMENT HOUSING UPPER(FOR MECHANICAL METER) | 1 |
| 1A | 20104g | INSTRUMENT HOUSING UPPER(FOR LIQUID CRYSTAL DISPLAY METER) | 1 |
| 2 | 20105f | WARNING LIGHT (FOR 2WD) | 1 |
| | 20105g | WARNING LIGHT (FOR 4WD) | 1 |
| 3 | 32030 | HAZARD LIGHT SWITCH | 1 |
| 4 | 30110 | IGNITION SWITCH WITH KEY | 1 |
| 5A | 30101g | METER (LIQUID CRYSTAL DISPLAY) | 2 |
| 6 | 10178 | SCREW ST4.2X13 | 10 |
| 7 | 30117 | REAR VIEW MIRROR LEFT | 1 |
| 8 | 30118 | REAR VIEW MIRROR RIGHT | 1 |
| 9 | 10139 | BOLT MBX6S | 4 |
| 10 | 10068 | WASHER 8 | 4 |
| 11 | 10079 | NUT M6 | 4 |
| 12 | 30114 | SWITCH ASSY | 1 |
| 13 | 30515 | GRIP | 2 |
| 14 | 30119 | GRIP END. | 2 |
| | 20109b | THROTTLE CONTROL(WITH 2WD/4WD SWITCH) | 1 |
| 16 | 30109 | HANDLEBAR | 1 |
| 17 | 20114a | THROTTLE CABLE | 1 |
| 17A | 20114b | THROTTLE CABLE(FOR TOP PULL CABLE TYPE) | 1 |
| 18 | 20112a | HANDLEBAR CLAMP | 4 |
| 19 | 20117f | WARNING LIGHT BRACKET1 | 1 |
| 20 | 20120 | INSTRUMENT HOUSING DOWN | 1 |
| 21 | 20121 | WARNING LIGHT BRACKET 2 | 1 |
| 22 | 20122 | RUBBER RING | 1 |
| 23 | 10004 | NUT M6 | 2 |
| 24 | 20124 | CUSHION | 4 |
| 25 | 20125 | RUBBER RING 2 | 2 |
| 26 | 30123 | WARNING LIGHT BULB ONLY 1.2V 1.7W | 1 |

* FOR NEW CARBURETOR JOINT AND NEW CARBURETOR

ATV 260 , 300 MUDDY TUTTE LE VERSIONI PARTI DI RICAMBIO

2 FUEL TANK

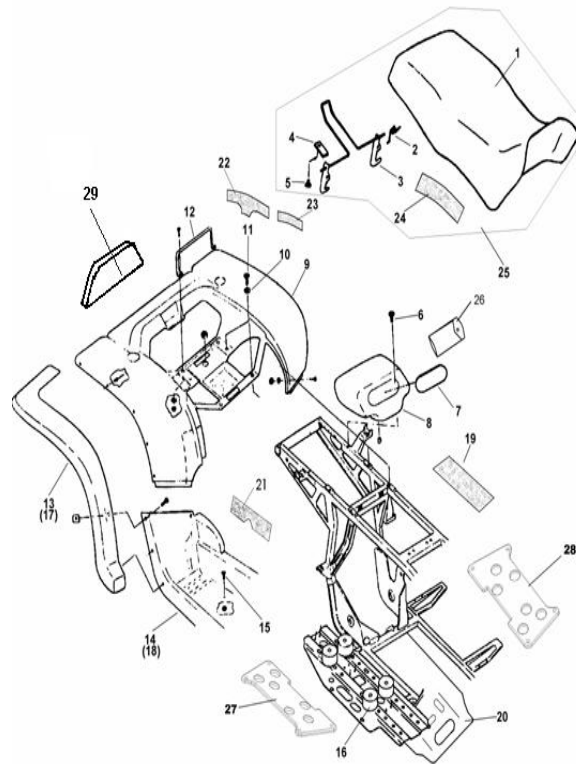


| REF.No. | CODICE RICAMBIO | DESCRIZIONE | Q'TY |
|---------|-----------------|------------------------|------|
| 1 | 20201 | FUEL CAP | 1 |
| 2 | 20202 | VENT TUBE | 1 |
| 3 | 20203 | VENT FITTING | 1 |
| 4 | 20204 | FOAM GASKET | 1 |
| 5 | 10005 | BOLT M6X80 | 2 |
| 6 | 10006 | WASHER 6 | 2 |
| 7 | 20207 | MOUNTING BRACKET LEFT | 1 |
| 8 | 20208a | FUEL TANK | 1 |
| 9 | 20209 | FOAM PAD | 1 |
| 10 | 20210 | SPACER | 2 |
| 11 | 20211 | MOUNTING PAD | 2 |
| 12 | 20212 | FUEL HOSE | 1 |
| 13 | 10007 | SCREW M4 | 1 |
| 14 | 10071 | WASHER 4 | 1 |
| 15 | 20215 | FUEL CONTROL KNOB | 1 |
| 16 | 20216 | NUT | 1 |
| 17 | 20217 | FUEL VALVE | 1 |
| 18 | 20218 | HOSE CLAMP 1 | 9 |
| 19 | 20219 | FUEL LINE 2 | 1 |
| 20 | 20220 | FUEL FILTER | 1 |
| 21 | 20221 | CLAMP | 1 |
| 22 | 20222 | MOUNTING BRACKET RIGHT | 1 |
| 23 | 20223 | FUEL LINE 1 | 1 |
| 24 | 30236 | PIPE 2 | 1 |
| 25 | 20225 | FUEL VALVE ASSY | 1 |
| 26 | 20226 | FUEL FILTER PAD | 1 |
| 27 | 10140 | BOLT MEX12 | 2 |
| 28 | 20228 | FUEL PUMP ASSY | 1 |
| 29 | 20229 | HOSE CLAMP 2 | 7 |
| 30 | 20230 | FUEL LINE 3 | 1 |
| 31 | 20231 | PIPE | 1 |
| 32 | 30232 | FUEL HOSE1 | 1 |
| 33 | 30233 | FUEL HOSE2 | 1 |
| 34 | 30234 | FUEL HOSE3 | 1 |
| 35 | 30235 | FUEL HOSE COUPLER | 2 |
| 36 | 10308 | WASHER 6 | 2 |

ATV 260 , 300 MUDDY TUTTE LE VERSIONI PARTI DI RICAMBIO

THERE ARE TOW FULL FITTINGS C

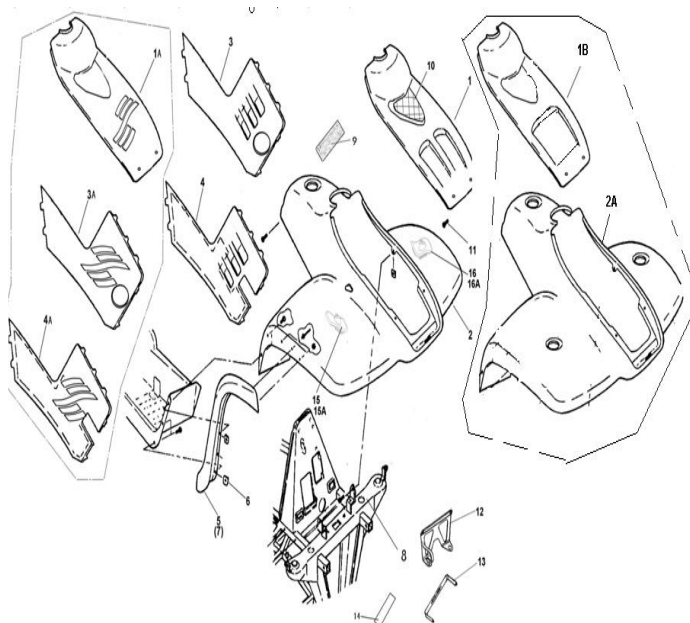
3 REAR FENDERS



| REF.No. | CODICE RICAMBIO | DESCRIZIONE | QTY |
|---------|-----------------|-----------------------------------|-----|
| 1 | 20301 | SEAT | 1 |
| 2 | 20302 | SPRING | 2 |
| 3 | 20303 | LATCH ASSEMBLY | 1 |
| 4 | 20304 | RETAINER CLIP | 2 |
| 5 | 10009 | SCREW ST4.8X16 | 4 |
| 6 | 10010 | BOLT M6X15 | 2 |
| 7 | 20307 | STORAGE BOX COVER | 1 |
| 8 | 20308 | STORAGE BOX | 1 |
| | 20309Bu | REAR FENDERS(BU)(FOR 50TH) | 1 |
| | 20309Su | REAR FENDERS(SU)(FOR 50TH) | 1 |
| | 20309GNa | REAR FENDERS(GN)(FOR 50TH) | 1 |
| | 20309REa | REAR FENDERS(RE)(FOR 50TH) | 1 |
| | 20309GYa | REAR FENDERS(GY)(FOR 50TH) | 1 |
| | 20309BKa | REAR FENDERS(BK)(FOR 50TH) | 1 |
| | 20309YWa | REAR FENDERS(YW)(FOR 50TH) | 1 |
| 10 | 10011 | WASHER 6 | 4 |
| 11 | 10010 | BOLT M6X15 | 42 |
| 12 | 20312 | LATCH BRACKET | 1 |
| 13 | 20313a | REAR MUD GUARD RIGHT | 1 |
| | 20314A | FOOTREST RIGHT | 1 |
| | 20314b | FOOTREST RIGHT (FOR MECHANIC PAI | 1 |
| 15 | 20315 | BOLT M6X20 | 14 |
| 16 | 20316 | RUBBER PAD | 14 |
| 17 | 20317a | REAR MUD GUARD LEFT | 1 |
| 18 | 20318a | FOOTREST LEFT | 1 |
| 19 | 20319 | BATTERY MOUNTING PAD | 3 |
| 20 | 20320 | PLASTIC PLATE | 1 |
| 21 | 20321 | FOOTREST RIGHT ADIABATIC PELLICLE | 1 |
| 22 | 20322 | REAR MUD ADIABATIC PELLICLE A | 2 |
| 23 | 20323 | REAR MUD ADIABATIC PELLICLE B | 2 |
| 24 | 20324 | SEAT ADIABATIC PELLICLE | 2 |
| 25 | 20325 | SEAT ASSY | 1 |
| 26 | 20326 | TOOL | 1 |
| 27 | 20327 | FOOTBOARD SUPPORT-RIGHT | 1 |
| 28 | 20328 | FOOTBOARD SUPPORT-LEFT | 1 |
| 29 | 20329 | REAR COVER (FOR 50TH) | 1 |

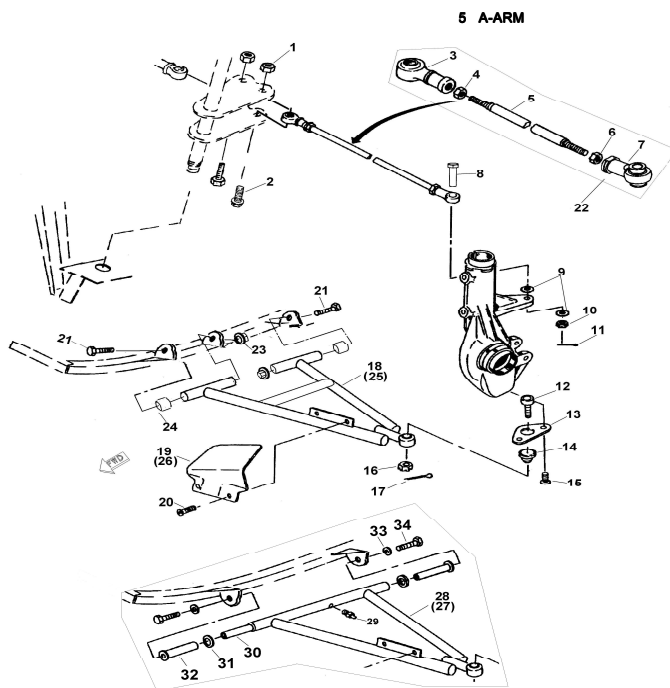
ATV 260 , 300 MUDDY TUTTE LE VERSIONI PARTI DI RICAMBIO

4 FRONT BODY & FRAM



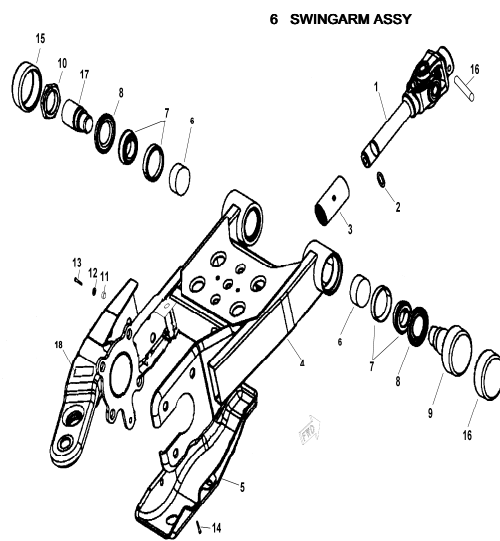
| REF.No. | CODICE RICAMBIO | DESCRIZIONE | Q'TY |
|---------|-----------------|---|------|
| 1B | 20401C | FRONT COVER (FOR 50TH) | 1 |
| 2A | 20402BUa | FRONT BODY (FOR 50TH) | 1 |
| | 20402S1a | FRONT BODY (FOR 50TH) | 1 |
| | 20402GNa | FRONT BODY (FOR 50TH) | 1 |
| | 20402REa | FRONT BODY (FOR 50TH) | 1 |
| | 20402GYa | FRONT BODY (FOR 50TH) | 1 |
| | 20402BKa | FRONT BODY (FOR 50TH) | 1 |
| | 20402YWa | FRONT BODY (FOR 50TH) | 1 |
| 3 | 20403a | SIDE COVER LEFT | 1 |
| 3A | 20403b | SIDE COVER LEFT ("S" MODEL) | 1 |
| | 20404a | SIDE COVER RIGHT | 1 |
| 4 | 20404a | SIDE COVER RIGHT | 1 |
| 4A | 20404b | SIDE COVER RIGHT ("S" MODEL) | 1 |
| 5 | 20405a | MUD GUARD RIGHT | 1 |
| 6 | 10004 | SPRING NUT | 40 |
| 7 | 20407a | MUD GUARD LEFT | 1 |
| | 20408W | FRAME COMP.(FOR 50TH) | 1 |
| 9 | 20409 | FRONT BODY FOAM | 1 |
| 10 | 20410 | SMALL FRONT COVER | 1 |
| 11 | 10009 | SCREW ST4.8X16 | 2 |
| 12 | 20412 | UP BRACKET RADIATOR | 1 |
| 13 | 20413a | DOWN BRACKET RADIATOR | 1 |
| 14 | 20414 | SPACER RUBBER | 1 |
| 15 | 20415 | ORNAMENTAL RIGHT (FOR SPORT) | 1 |
| 15A | 20415a | ORNAMENTAL RIGHT (RUBBER) (FOR SPORT) | 1 |
| | 20416 | ORNAMENTAL LEFT (FOR SPORT) | 1 |
| 16A | 20416a | ORNAMENTAL LEFT (RUBBER) (FOR SPORT) | 1 |

ATV 260 , 300 MUDDY TUTTE LE VERSIONI PARTI DI RICAMBIO



| REF.No. | CODICE RICAMBIO | DESCRIZIONE | QTY |
|---------|-----------------|--|-----|
| 1 | 10015 | NUT M10X1,25 | 2 |
| 2 | 10016 | BOLT M10X1,25X55 | 2 |
| 3 | 20503 | TIE ROD END A | 2 |
| 4 | 10017 | JAM NUT(RIGHT) | 2 |
| 5 | 20505 | TIE ROD | 2 |
| 6 | 20506 | JAM NUT(LEFT) | 2 |
| 7 | 20507 | TIE ROD END B | 2 |
| 8 | 10018 | BOLT M10X1,25X55 | 2 |
| 9 | 10019 | WASHER | 4 |
| 10 | 10020 | NUT M10X1,25 | 2 |
| 11 | 10021 | COTTER PIN | 2 |
| 12 | 20512 | BALL JOINT STUD | 2 |
| 13 | 20513 | BALL JOINT MOUNTING BRACKET | 2 |
| 14 | 20514 | BALL JOINT CUP | 2 |
| 15 | 10022 | BOLT MSX12 | 4 |
| 16 | 10023 | NUT M10 | 2 |
| 17 | 10021 | COTTER PIN | 2 |
| 18 | 20518 | A-ARM LEFT(USED WITH 20408# AND 20408W) | 1 |
| 19 | 20519 | A - ARM SHIELD LEFT | 1 |
| 20 | 10001 | SCREW MSX12 | 4 |
| 21 | 20522F | A-ARM PIVOT SHAFT | 2 |
| 22 | 20629 | TIE ROD ASSY | 2 |
| 23 | 10136 | NUT M12X1,25 | 4 |
| 24 | 20524F | BUSHING | 4 |
| 25 | 20627F | A-ARM RIGHT(USED WITH 20408# AND 20408W) | 1 |
| 26 | 20628 | A - ARM SHIELD RIGHT | 1 |

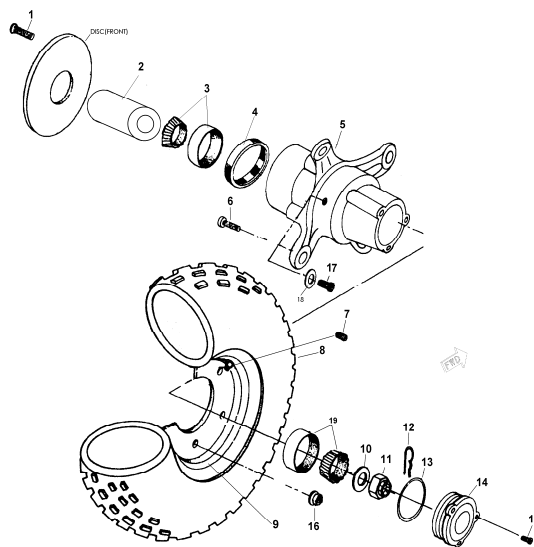
ATV 260 , 300 MUDDY TUTTE LE VERSIONI PARTI DI RICAMBIO



| REF.No. | CODICE RICAMBIO | DESCRIZIONE | QTY |
|---------|-----------------|-----------------------------|-----|
| 1 | 20701 | REAR PROP SHAFT ASSY | 1 |
| 2 | 10029 | O-RING | 1 |
| 3 | 20703 | COUPLING-PROP SHAFT GREASED | 1 |
| | 30704F | SWINGARM ASSY | 1 |
| 5 | 20705 | SKID PLATE REAR | 1 |
| 6 | 20706 | SEAL-SWINGARM PIVOT | 2 |
| 7 | 10030 | BEAR | 2 |
| 8 | 20708 | SEAL | 2 |
| 9 | 20709 | SWING ARM PIVOT RIGHT | 1 |
| 10 | 20710 | THREADED PIVOT | 1 |
| 11 | 10031 | NUT M12 | 3 |
| 12 | 10032 | WASHER 12 | 3 |
| 13 | 10033 | BOLT M12X35 | 3 |
| 14 | 10034 | BOLT M8X12 | 3 |
| 15 | 20715 | CAP SWINGARM PIVOT | 2 |
| 16 | 20716 | ROLL PIN | 1 |
| 17 | 20717 | SWINGARM PIVOT LEFT | 1 |
| 18 | 20718 | SPONGY GASKET | 1 |

ATV 260 , 300 MUDDY TUTTE LE VERSIONI PARTI DI RICAMBIO

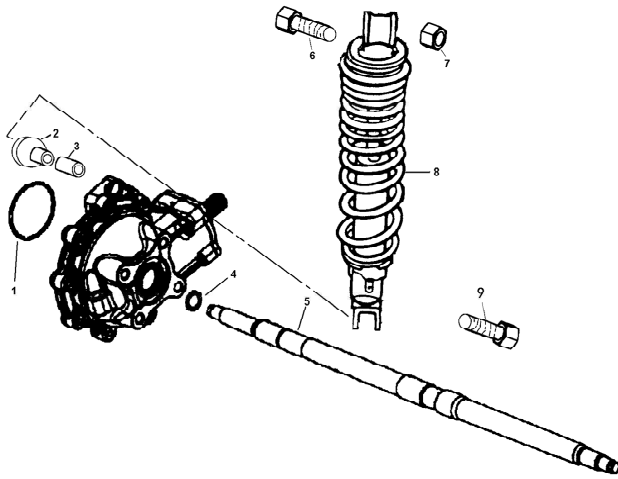
7 WHEEL FRONT



| REF.No. | CODICE RICAMBIO | DESCRIZIONE | Q'TY |
|---------|-----------------|--------------------------------------|------|
| 1 | 10035 | BOLT M8X20 | 8 |
| 2 | 20802 | SPACER (NOT FOR 4WD) | 2 |
| 3 | 10095 | BEARING for 4WD | 4 |
| | 10095 | BEARING | 4 |
| 4 | 20804 | SEAL SLEEVE | 2 |
| 5 | 20805 | HUB ASSY SHRT | 2 |
| | 20805a | HUB ASSY SHRT (FOR 4WD) | 2 |
| 6 | 20806 | WHEEL STUD | 8 |
| 7 | 20807 | PLUG PIPE | 2 |
| 8 | 20808 | TIRE FRONT | 2 |
| 9 | 20809b | WHEEL FRONT (IRON AND BLACK) | 2 |
| | 20809a | WHEEL FRONT (IRON AND ARGENTINE) | 2 |
| | 20809s | WHEEL FRONT(ALUMINIUM) (FOR SPORT) | 2 |
| 10 | 10037 | WASHER 16 | 2 |
| | 20810 | WASHER (FOR 4WD) | 2 |
| 11 | 20811 | SLOTTED NUT M16X1.5 | 2 |
| | 20811a | SLOTTED NUT (FOR 4WD) | 2 |
| 12 | 10038 | COTTER PIN | 2 |
| 13 | 10039 | O-RING | 2 |
| 14 | 20814 | HUB CAP 2-LOBE 4WD | 2 |
| 15 | 10040 | SCREW MSX18 | 6 |
| 16 | 10015 | LUG NUT M10X1.25 | 8 |
| 17 | 20817 | LUG | 1 |
| 18 | 20818 | WASHER | 1 |
| 19 | 10030 | BEARING (NOT FOR 4WD) | 4 |

ATV 260 , 300 MUDDY TUTTE LE VERSIONI PARTI DI RICAMBIO

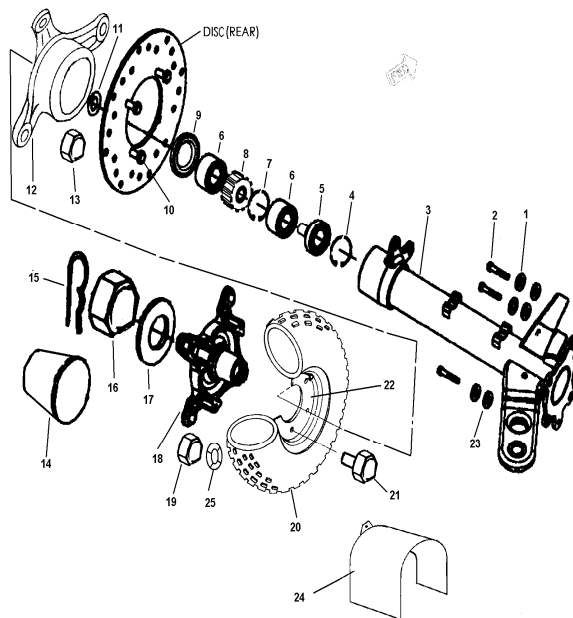
8 SHOCK ABSORBER REAR



| REF.No. | CODICE RICAMBIO | DESCRIZIONE | QTY |
|---------|-----------------|--------------------------------------|-----|
| 1 | 20901 | O-RING | 1 |
| 2 | 20902 | CUSHION PAD | 2 |
| 3 | 20903 | SPACER-BEARING | 1 |
| 4 | 10042 | O-RING | 1 |
| 5 | 20905 | REAR AXLE | 1 |
| | 20905a | REAR AXLE(ONLY FOR MECHANICAL BRAKE) | 1 |
| 6 | 20908 | UP BOLT M10X1.25X57 | 1 |
| 7 | 10015 | NUT M10X1.25 | 2 |
| 8 | 20908 | SHOCK ABSORBER REAR | 1 |
| 9 | 20909 | DOWN BOLT M10X1.25X57 | 1 |

ATV 260 , 300 MUDDY TUTTE LE VERSIONI PARTI DI RICAMBIO

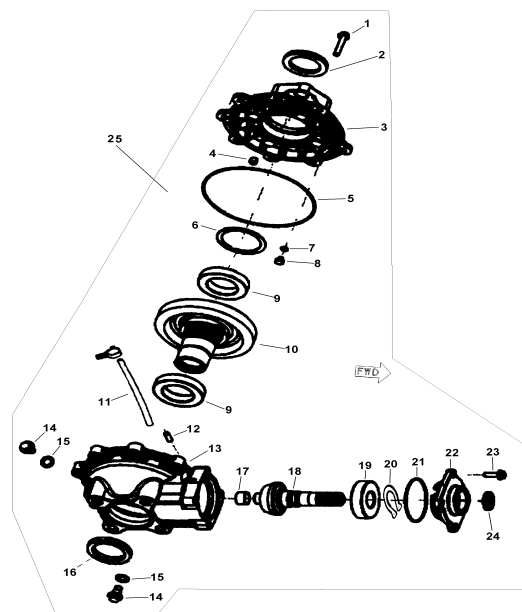
9 WHEEL REAR



| REF.No. | CODICE RICAMBIO | DESCRIZIONE | QTY |
|---------|-----------------|--|-----|
| 1 | 10032 | WASHER 12 | 8 |
| 2 | 10045 | BOLT M12X30 | 8 |
| 3 | 21003 | AXLE TUBE AND HITCH ASSEMBLY | 1 |
| | 21003a | AXLE TUBE AND HITCH ASSEMBLY(ONLY FOR MECHANICAL BRAKE) | 1 |
| 4 | 21004 | RING RETAINER INT | 1 |
| 5 | 21005 | SPACER | 1 |
| 6 | 10046 | BEARING BALL DBL SEAL | 2 |
| 7 | 10047 | RING RETAINER INT | 1 |
| 8 | 31008 | SPACER-BEARING | 1 |
| 9 | 21009 | SEAL REAR AXLE | 2 |
| 10 | 10048 | BOLTS M10X1.25X20 | 3 |
| 11 | 10029 | O-RING | 1 |
| 12 | 21012 | HUB BRAKE DISC MACH | 1 |
| 13 | 10050 | NUT M10X1.25 | 3 |
| 14 | 21014 | AXLE CAP | 2 |
| 15 | 10051 | COTTER PIN | 2 |
| 16 | 10142 | NUT SLOTTED M20X2 | 2 |
| 17 | 21017 | WASHER | 2 |
| 18 | 21018 | WHEEL HUB | 2 |
| 19 | 21019 | LUG NUT M12X1.25 | 8 |
| 20 | 31020 | TIRE REAR | 2 |
| 21 | 10053 | WHEEL STUD M12X1.25X45 | 8 |
| | 10053a | WHEEL STUD M12X1.25X45 (FOR SPORT) | 8 |
| 22 | 21022b | WHEEL REAR (IRON AND BLACK) | 2 |
| | 21022a | WHEEL REAR (IRON AND ARGENTINE) | 2 |
| | 21022c | WHEEL REAR(ALUMINIUM) (FOR SPORT) | 2 |
| 23 | 10054 | WASHER 12 | 8 |
| 24 | 31024 | BRAKE HOSE COVER | 1 |
| 25 | 21026 | WHEEL WASHER | 8 |

ATV 260 , 300 MUDDY TUTTE LE VERSIONI PARTI DI RICAMBIO

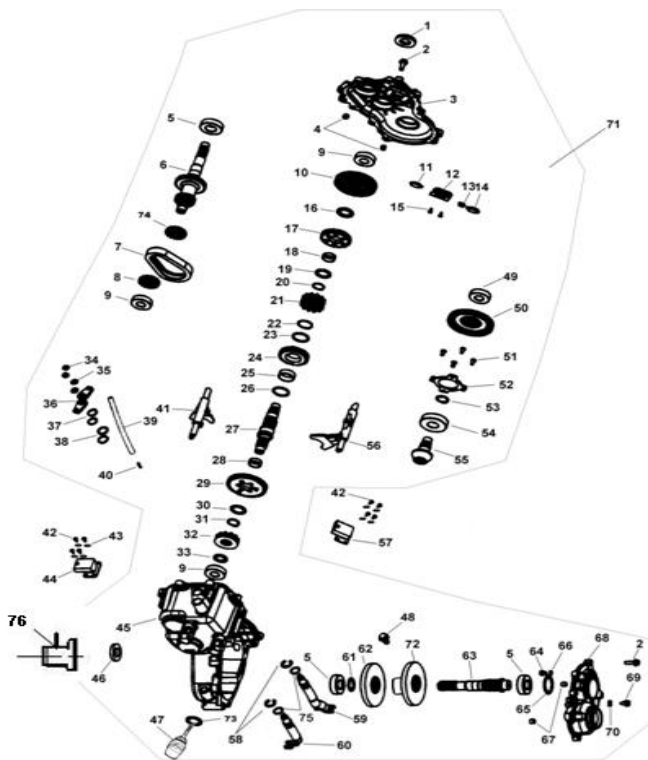
10 REAR GEAR-BOX



| REF.No. | CODICE RICAMBIO | DESCRIZIONE | Q'TY |
|---------|-----------------|-------------------|------|
| 1 | 10055 | BOLT MBX45 | 2 |
| 2 | 21102 | SEAL 50X70X8 | 1 |
| 3 | 21103 | OUTPUT COVER | 1 |
| 4 | 21104 | DOWEL PIN | 1 |
| 5 | 21105 | O-RING 176X2,65 | 1 |
| 6 | 21106 | SHIM | 1 |
| 7 | 21107 | SHIM D | 1 |
| 8 | 21108 | THRUST BUTTON | 1 |
| 9 | 10056 | BEARING 110 | 2 |
| 10 | 21110 | RING GEAR | 1 |
| 11 | 21111 | VENT | 1 |
| 12 | 21112 | BEARING | 1 |
| 13 | 21113 | DRIVE HOUSING | 1 |
| 14 | 21114 | OIL PLUG | 2 |
| 15 | 21115 | WASHER | 2 |
| 16 | 21102 | SEAL 50X70X8 | 1 |
| 17 | 10057 | BUSHING P23X20X15 | 1 |
| 18 | 21118 | PINION SHAFT | 1 |
| 19 | 10058 | BEARING 6306ST | 1 |
| 20 | 21120 | RETAINER 30 | 1 |
| 21 | 20901 | O-RING 79X4 | 1 |
| 22 | 21122 | INPUT COVER | 1 |
| 23 | 10059 | BOLT MBX25 | 10 |
| 24 | 21124 | SEAL 25X35X5 | 1 |
| 25 | 21125 | REAR GEARBOX ASSY | 1 |

ATV 260 , 300 MUDDY TUTTE LE VERSIONI PARTI DI RICAMBIO

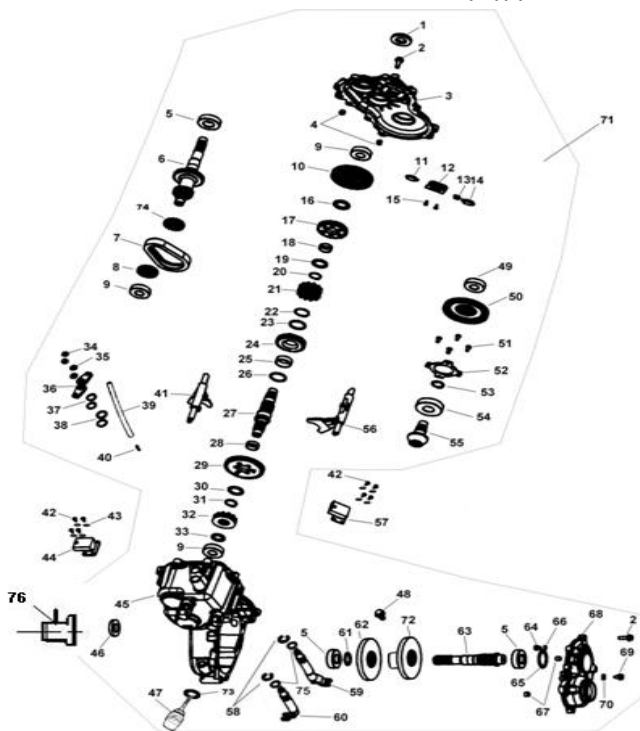
11 TRANSMISSION



| REF.No. | CODICE RICAMBIO | DESCRIZIONE | QTY |
|---------|-----------------|--|-----|
| 1 | 21201 | SEAL 25X47X8 | 1 |
| 2 | 10060 | BOLT M8X28 | 17 |
| | 21203b | MAIN COVER (USE WITH HIGH-POWER CLUTCH) | 1 |
| 4 | 21104 | DOWEL PIN | 2 |
| 5 | 10061 | BEARING 6205-3 | 3 |
| | 21206b | INPUT SHAFT (USE WITH HIGH-POWER CLUTCH) | 1 |
| 7 | 21207 | CHAIN | 1 |
| 8 | 21208 | GEAR 16T | 1 |
| 9 | 10062 | BEARING 6204 | 3 |
| 10 | 21210 | GEAR, HELICAL 35T | 1 |
| 11 | 21211 | INTERLOCK PIN | 2 |
| 12 | 21212 | INTERLOCK BRACKET | 1 |
| 13 | 21213 | SPRING | 1 |
| 14 | 21211 | INTERLOCK PIN | 1 |
| 15 | 10001 | SCREW M5X12 | 2 |
| 16 | 21216 | SPACER | 1 |
| 17 | 21217 | GEAR 31T | 1 |
| 18 | 21218 | NEEDLE BEARING 25 | 1 |
| 19 | 21219 | THRUST WASHER | 1 |
| 20 | 10064 | SNAP RING | 1 |
| 21 | 21221 | DOG GEAR | 1 |
| 22 | 10065 | SNAP RING | 1 |
| 23 | 21223 | THRUST WASHER | 1 |
| 24 | 21224 | SPROCKET 24T | 1 |
| 25 | 21225 | NEEDLE BEARING 25 | 1 |
| 26 | 21223 | THRUST WASHER | 1 |
| 27 | 21327 | SHAFT | 1 |

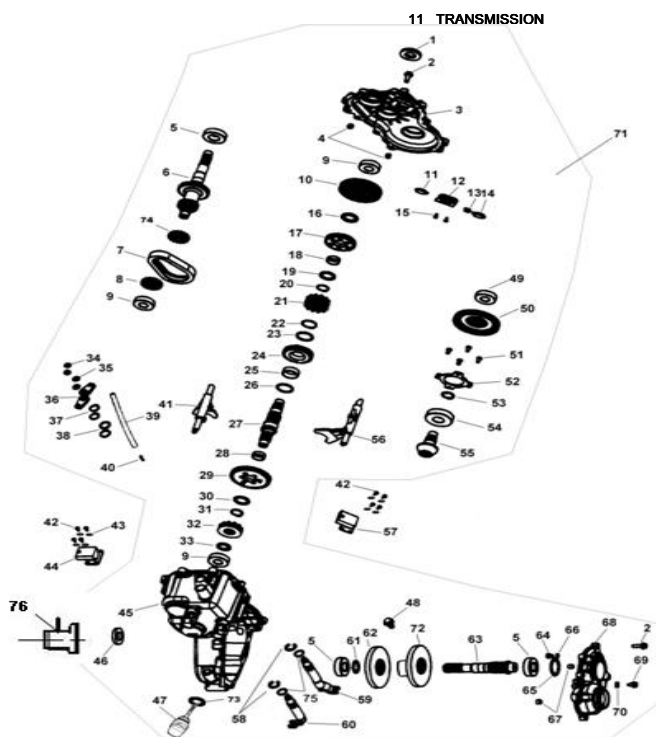
ATV 260 , 300 MUDDY TUTTE LE VERSIONI PARTI DI RICAMBIO

11 TRANSMISSION



| REF.No. | CODICE RICAMBIO | DESCRIZIONE | Q'TY |
|---------|-----------------|------------------------------|------|
| 28 | 21219 | NEEDLE BEARING 25 | 1 |
| 29 | 21329 | GEAR 35T | 1 |
| 30 | 21223 | THRUST WASHER | 1 |
| 31 | 10064 | SNAP RING | 1 |
| 32 | 21332 | ENGAGEMENT | 1 |
| 33 | 21333 | THRST WASHER | 1 |
| 34 | 10067 | NUT M8 | 2 |
| 35 | 10068 | WASHER 8 | 2 |
| 36 | 21336 | BELLCRANK | 2 |
| 37 | 10069 | SNAP RING | 2 |
| 38 | 21338 | WASHER | 2 |
| 39 | 21339 | VENT TUBE | 1 |
| 40 | 21340 | VENT TUBE FITTING | 1 |
| 41 | 21341 | SHIFT FORK HIGH/REVERSE | 1 |
| 42 | 10007 | SCREW M4 | 8 |
| 43 | 10071 | WASHER 4 | 8 |
| 44 | 21344 | GEAR INDICATOR SWITCH | 1 |
| | 21345b | GEARCASE,RH (USE WITH LLD) | 1 |
| 46 | 21201 | SEAL 25X47X8 | 1 |
| 47 | 21475 | DIPSTICK | 1 |
| 48 | 10219 | SCREW | 1 |
| 49 | 10063 | BEARING 6204C3 | 1 |
| 50 | 21350 | GEAR HELICAL 46T | 1 |
| 51 | 10073 | SCREW M6X10 | 4 |
| 52 | 21351 | BEARING RETAINER PLATE | 1 |
| 53 | 21453 | SNAP RING | 1 |
| 54 | 10074 | BEARING 6305ST | 1 |

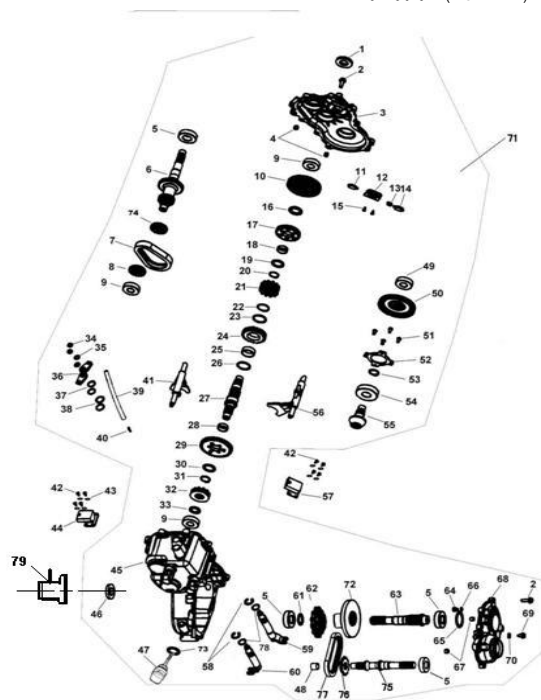
ATV 260 , 300 MUDDY TUTTE LE VERSIONI PARTI DI RICAMBIO



| REF.No. | CODICE RICAMBIO | DESCRIZIONE | Q'TY |
|---------|-----------------|--|------|
| 55 | 21455 | PINION SHAFT 10T | 1 |
| 56 | 21456 | SHIFT FORK LOW | 1 |
| 57 | 21457 | GEAR INDICATOR SWITCH | 1 |
| 58 | 10075 | SNAP RING | 2 |
| 59 | 21459 | SHIFT ROD LOW | 1 |
| 60 | 21460 | SHIFT ROD HIGH/REVERSE | 1 |
| 61 | 21461 | THRUST WASHER | 1 |
| 62 | 21462 | GEAR SHAFT REAR OUTPUTA (USE WITH LCD) | 1 |
| | 21463a | | 1 |
| 64 | 21464 | THRUST BUTTON | 1 |
| 65 | 21465 | SHIM 1 | 1 |
| 66 | 21466 | SHIM 2 | 1 |
| 67 | 21104 | DOWEL PIN | 1 |
| 68 | 21468 | COVER | 1 |
| 69 | 21469 | DRAIN SCREW | 1 |
| 70 | 21470 | WASHER | 1 |
| 71 | 21471a | TRANSMISSION ASSY | 1 |
| 72 | 21473 | OIL PLATE | 1 |
| 73 | 10122 | O RING 18X2.65 | 1 |
| 74 | 21477 | SPROCKET | 1 |
| 75 | 10123 | O RING 14X2.65 | 2 |
| 76 | 21484 | SPEED SENSOR (USE WITH LCD) | 1 |

ATV 260 , 300 MUDDY TUTTE LE VERSIONI PARTI DI RICAMBIO

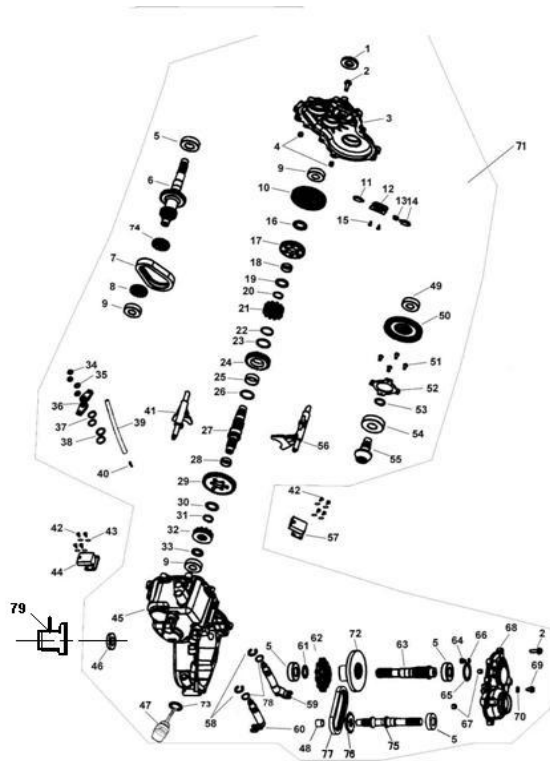
11 TRANSMISSION (FOR 4WD)



| REF.No. | CODICE RICAMBIO | DESCRIZIONE | Q'TY |
|---------|-----------------|--|------|
| 1 | 21201 | SEAL 25X47X8 | 1 |
| 2 | 10060 | BOLT MBX28 | 17 |
| | 21203b | MAIN COVER (USE WITH HIGH-POWER CLUTCH) | 1 |
| 4 | 21104 | DOWEL PIN | 2 |
| 5 | 10061 | BEARING 6205c3 | 4 |
| | 21206b | INPUT SHAFT (USE WITH HIGH-POWER CLUTCH) | 1 |
| 7 | 21207 | CHAIN | 1 |
| 8 | 21208 | GEAR 16T | 1 |
| 9 | 10062 | BEARING 6204 | 3 |
| 10 | 21210 | GEAR,HELICAL 35T | 1 |
| 11 | 21211 | INTERLOCK PIN | 2 |
| 12 | 21212 | INTERLOCK BRACKET | 1 |
| 13 | 21213 | SPRING | 1 |
| 14 | 21211 | INTERLOCK PIN | 1 |
| 15 | 10001 | SCREW MSX12 | 2 |
| 16 | 21216 | SPACER | 1 |
| 17 | 21217 | GEAR 31T | 1 |
| 18 | 21218 | NEEDLE BEARING 25 | 1 |
| 19 | 21219 | THRUST WASHER | 1 |
| 20 | 10064 | SNAP RING | 1 |
| 21 | 21221 | DOG GEAR | 1 |
| 22 | 10065 | SNAP RING | 1 |
| 23 | 21223 | THRUST WASHER | 1 |
| 24 | 21224 | SPROCKET 24T | 1 |
| 25 | 21225 | NEEDLE BEARING 25 | 1 |
| 26 | 21223 | THRUST WASHER | 1 |
| 27 | 21327 | SHAFT | 1 |

ATV 260 , 300 MUDDY TUTTE LE VERSIONI PARTI DI RICAMBIO

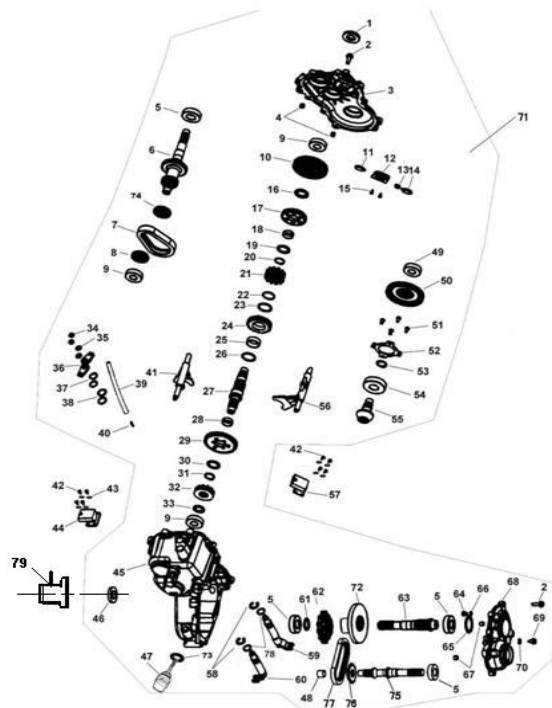
11 TRANSMISSION (FOR 4WD)



| REF.No. | CODICE RICAMBIO | DESCRIZIONE | Q'TY |
|---------|-----------------|------------------------------|------|
| 28 | 21219 | NEEDLE BEARING 25 | 1 |
| 29 | 21329 | GEAR 35T | 1 |
| 30 | 21223 | THRUST WASHER | 1 |
| 31 | 10064 | SNAP RING | 1 |
| 32 | 21332 | ENGAGEMENT | 1 |
| 33 | 21333 | THRST WASHER | 1 |
| 34 | 10067 | NUT M8 | 2 |
| 35 | 10068 | WASHER 8 | 2 |
| 36 | 21336 | BELLCRANK | 2 |
| 37 | 10069 | SNAP RING | 2 |
| 38 | 21338 | WASHER | 2 |
| 39 | 21339 | VENT TUBE | 1 |
| 40 | 21340 | VENT TUBE FITTING | 1 |
| 41 | 21341 | SHIFT FORK HIGH/REVERSE | 1 |
| 42 | 10007 | SCREW M4 | 8 |
| 43 | 10071 | WASHER 4 | 8 |
| 44 | 21344 | GEAR INDICATOR SWITCH | 1 |
| | 21345b | GEARCASE,RH (USE WITH LLD) | 1 |
| 46 | 21201 | SEAL 25X47X8 | 1 |
| 47 | 21475 | DIPSTICK | 1 |
| 48 | 10275 | BUSHING | 1 |
| 49 | 10063 | BEARING 6204C3 | 1 |
| 50 | 21350 | GEAR HELICAL 46T | 1 |
| 51 | 10073 | SCREW M6X10 | 4 |
| 52 | 21351 | BEARING RETAINER PLATE | 1 |
| 53 | 21453 | SNAP RING | 1 |
| 54 | 10074 | BEARING 6305ST | 1 |

ATV 260 , 300 MUDDY TUTTE LE VERSIONI PARTI DI RICAMBIO

11 TRANSMISSION (FOR 4WD)



| REF.No. | CODICE RICAMBIO | DESCRIZIONE | QTY |
|---------|-----------------|-------------------------------------|-----|
| 55 | 21455 | PINION SHAFT 10T | 1 |
| 56 | 21456 | SHIFT FORK LOW | 1 |
| 57 | 21457 | GEAR INDICATOR SWITCH | 1 |
| 58 | 10075 | SNAP RING | 2 |
| 59 | 21459 | SHIFT ROD LOW | 1 |
| 60 | 21460 | SHIFT ROD HIGH/REVERSE | 1 |
| 61 | 21461 | THRUST WASHER | 1 |
| 62 | 21483 | SPORCKET 12T | 1 |
| | 21463a | SHAFT REAR OUTPUTA (USE WITH LCD) | 1 |
| 64 | 21464 | THRUST BUTTON | 1 |
| 65 | 21465 | SHIM 1 | 1 |
| 66 | 21466 | SHIM 2 | 1 |
| 67 | 21104 | DOWEL PIN | 1 |
| 68 | 21488 | COVER | 1 |
| 69 | 21469 | DRAIN SCREW | 1 |
| 70 | 21470 | WASHER | 1 |
| 71 | 21471 | TRANSMISSION ASSY | 1 |
| 72 | 21462 | GEAR | 1 |
| 73 | 10122 | O RING 18X2.65 | 1 |
| 74 | 21477 | SPROCKET | 1 |
| 75 | 21480 | SHAFT FRONT OUTPUT | 1 |
| 76 | 21481 | SPORCKET 12T | 1 |
| 77 | 21462 | CHAIN | 1 |
| 78 | 10123 | O RING 14X2.65 | 2 |
| 79 | 21484 | SPEED SENSOR (USE WITH LCD) | 1 |